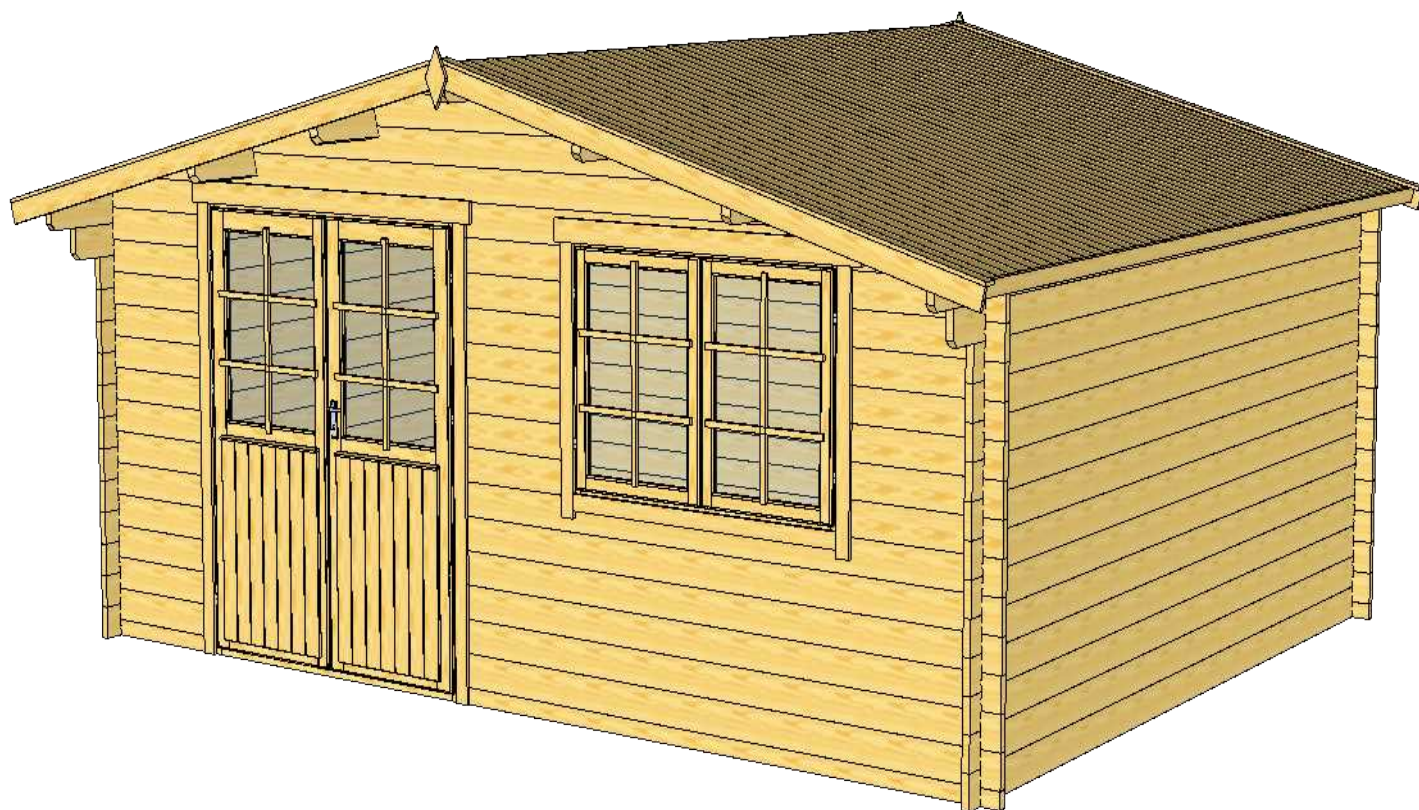


T-46

Package number T46/

TOLEDO 5,0x4,0

Manual



QC checked

TOLEDO 5,0x4,0 LIST 34mm

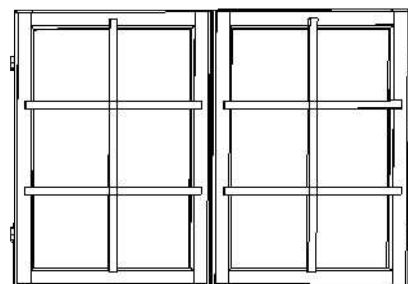
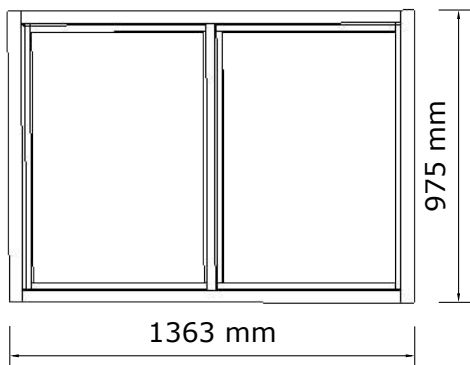
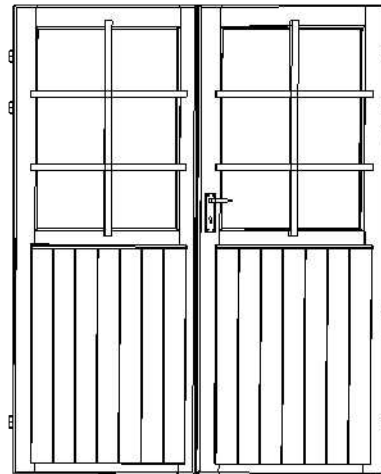
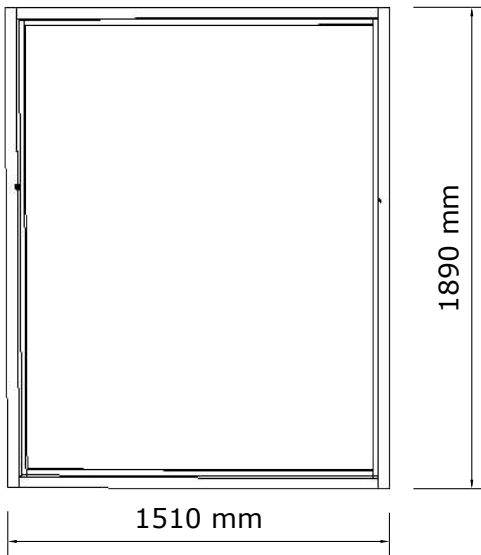
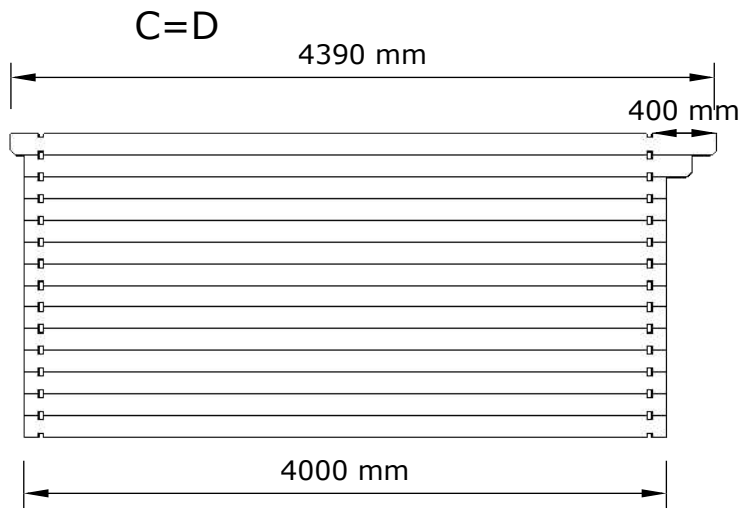
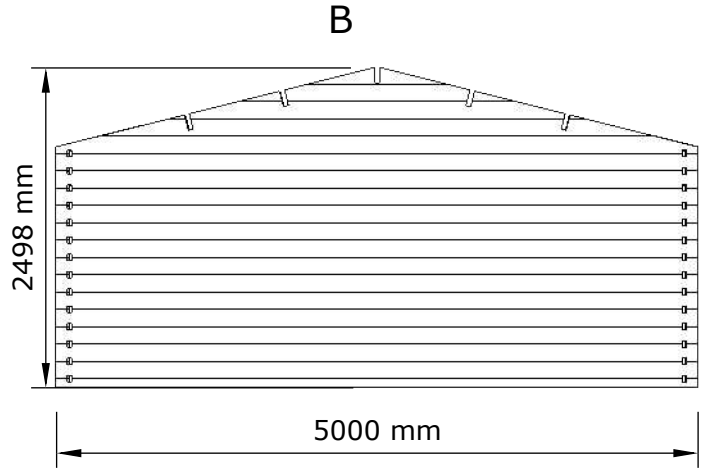
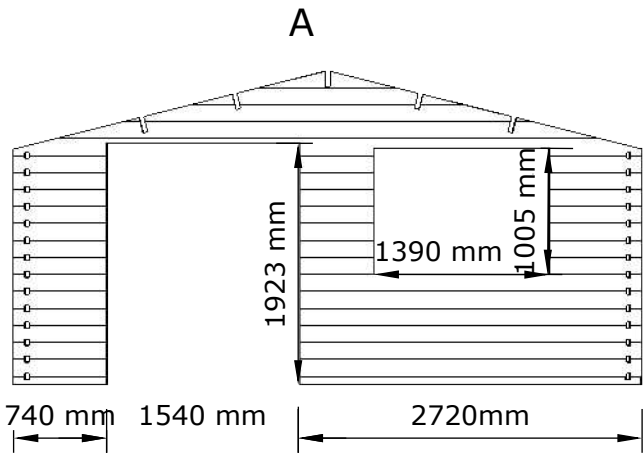
Pos	Size, mm h x b x l			Quantity		Destination
3	34	67,5	5000	1		Wall B
3a	34	67,5	2720	1		Wall A
3b	34	67,5	740	1		Wall A
4	34	135	5000	13		Wall B
5	34	135	2720	6		Wall A
5a	34	135	740	20		Wall A
5b	34	135	590	7		Wall A
6	34	135	4000	24		Wall C, D
7	34	135	4155	2		Wall C, D
7a	34	135	4390	3		Wall C, D
8	34	670	5000	1		Vault
8a	34	670	5000	1		Vault
9	44	140	4390	1		Rafter
9a	44	140	4390	4		Rafter
10	16	90	2660	99		Roof board
11	16	90	2720	4		Wind board
11a	16	65	2720	4		Wind board
12	16	65	4390 (2195)	2 (4)		Roof board
13				2		Diamond
15	16	65	1070	4		
15a	16	90	1520	2		
15b	16	65	1335	2		
16	16	65	1890	4		
16a	16	90	1620	2		
18				1		Window
19				1		Door

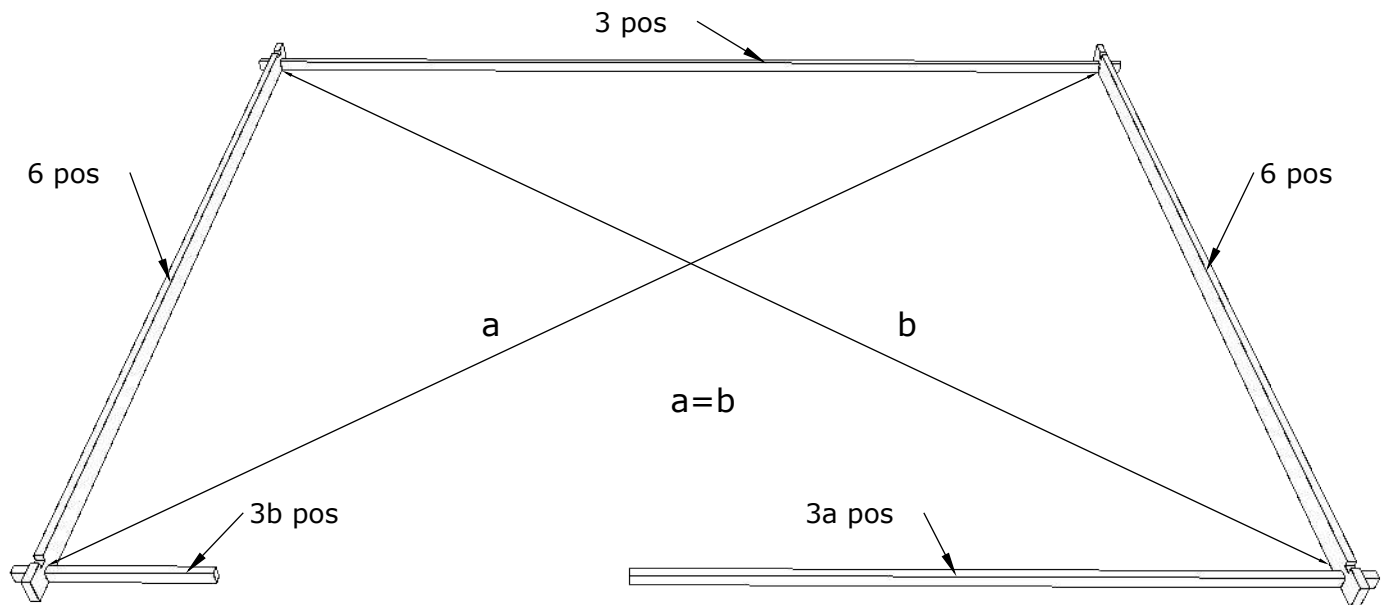
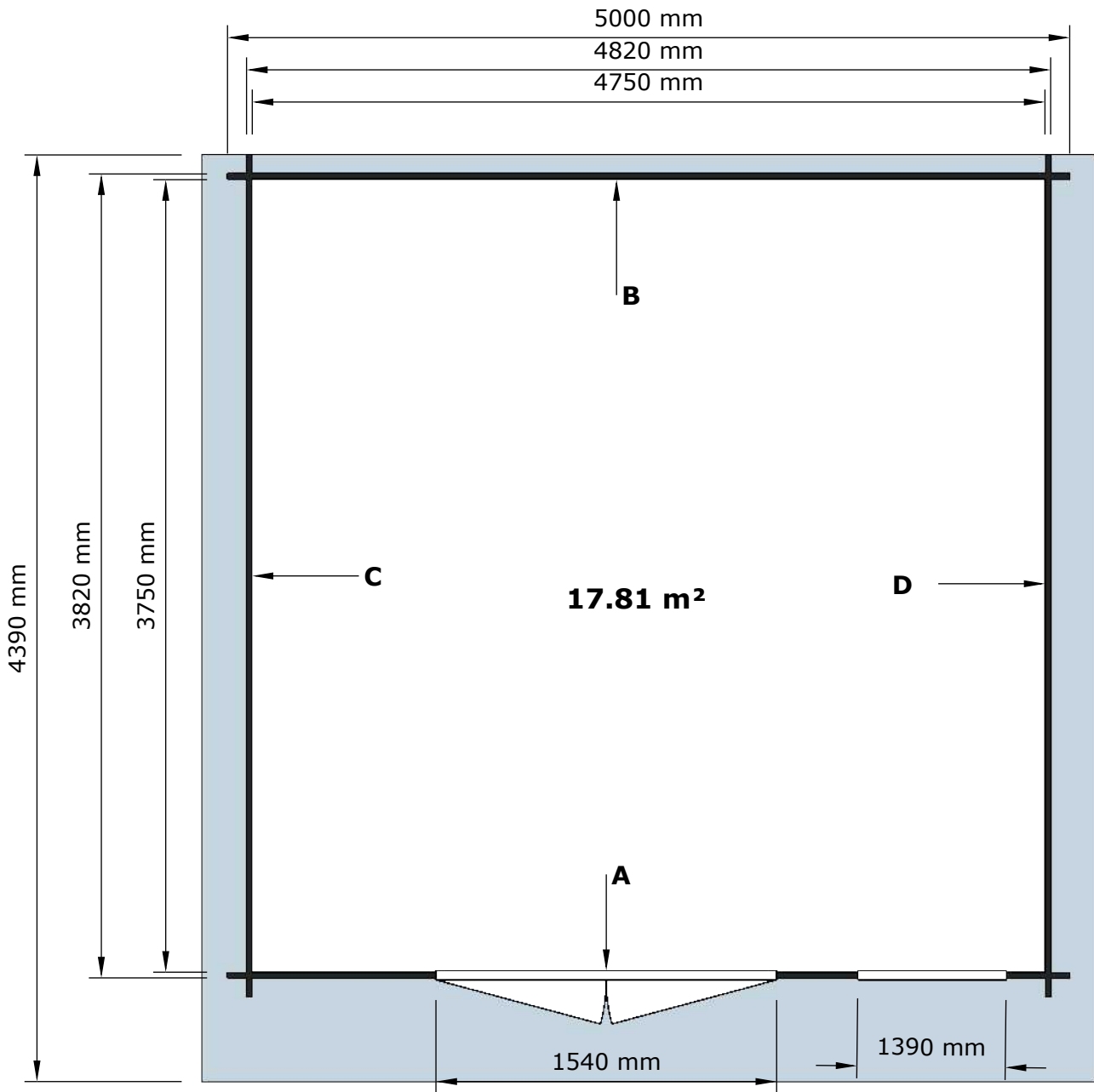
Recommendations.

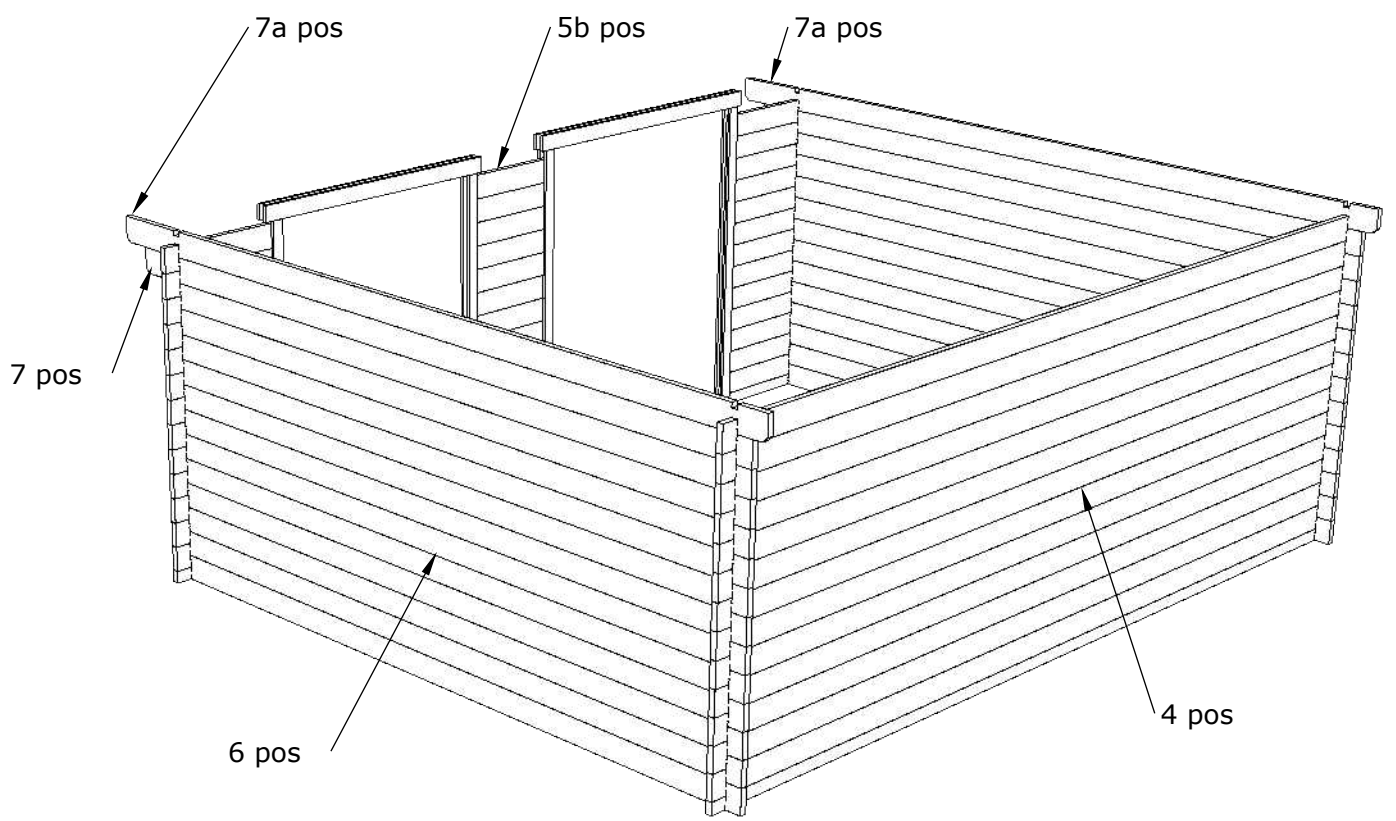
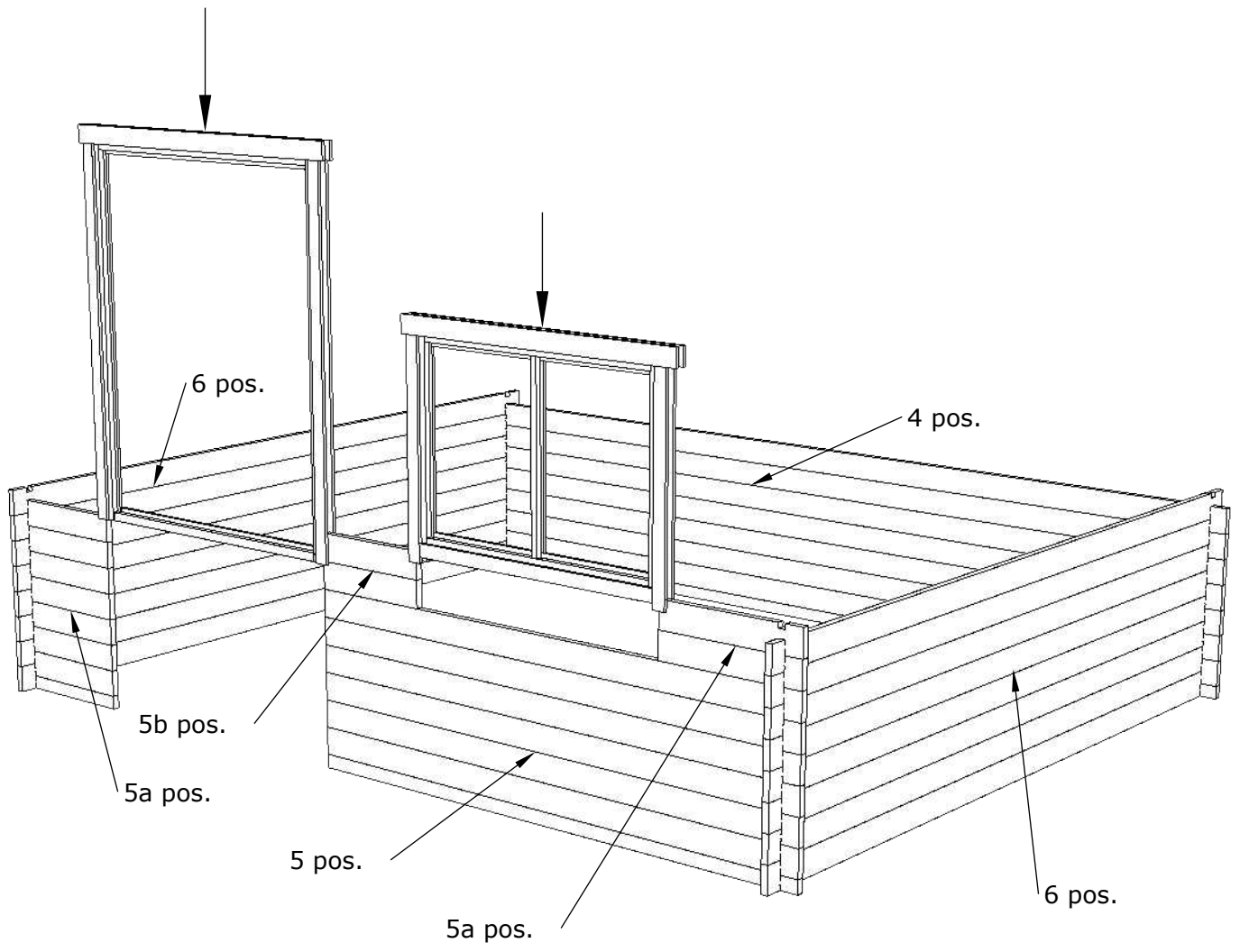
It is recommended to install a ventilation system in the house.

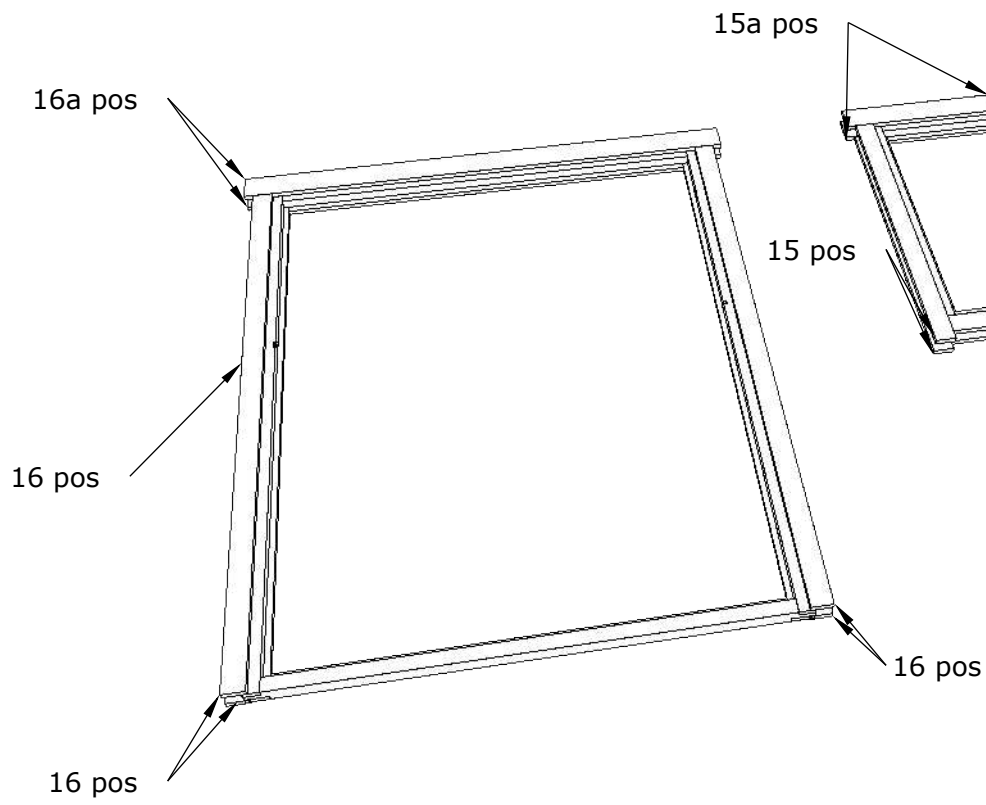
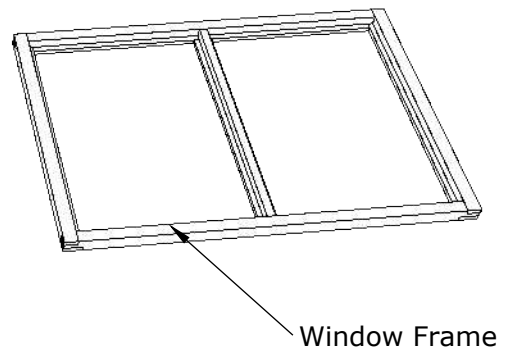
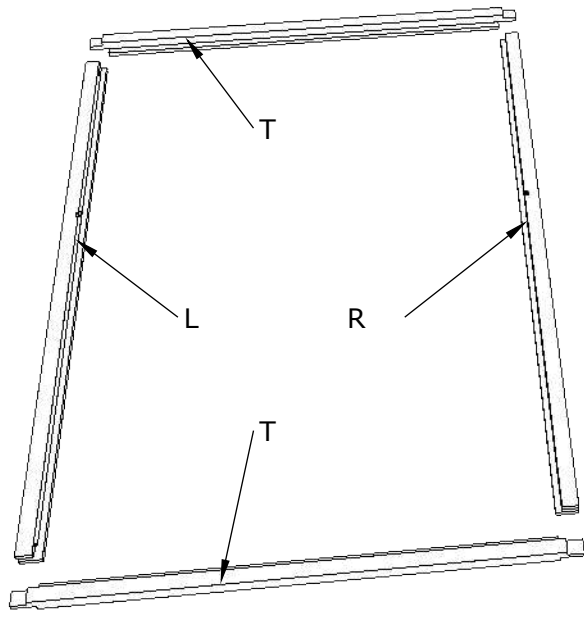


Assembly of the house requires at least minimum knowledge in the field of assembly of wood products. Otherwise, we recommend hiring a specialist.









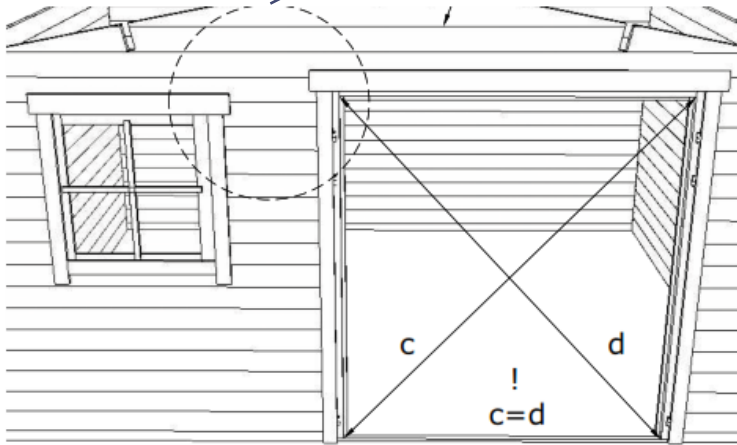
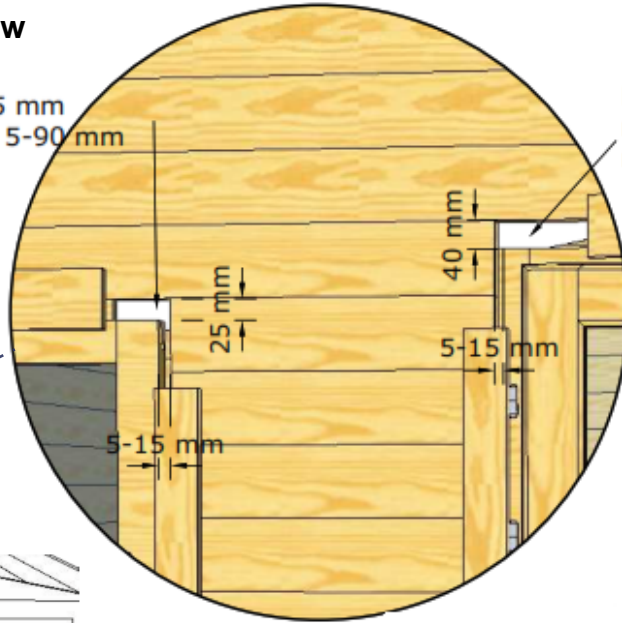
The guide is illustrative. This guide is not project specification.

Window

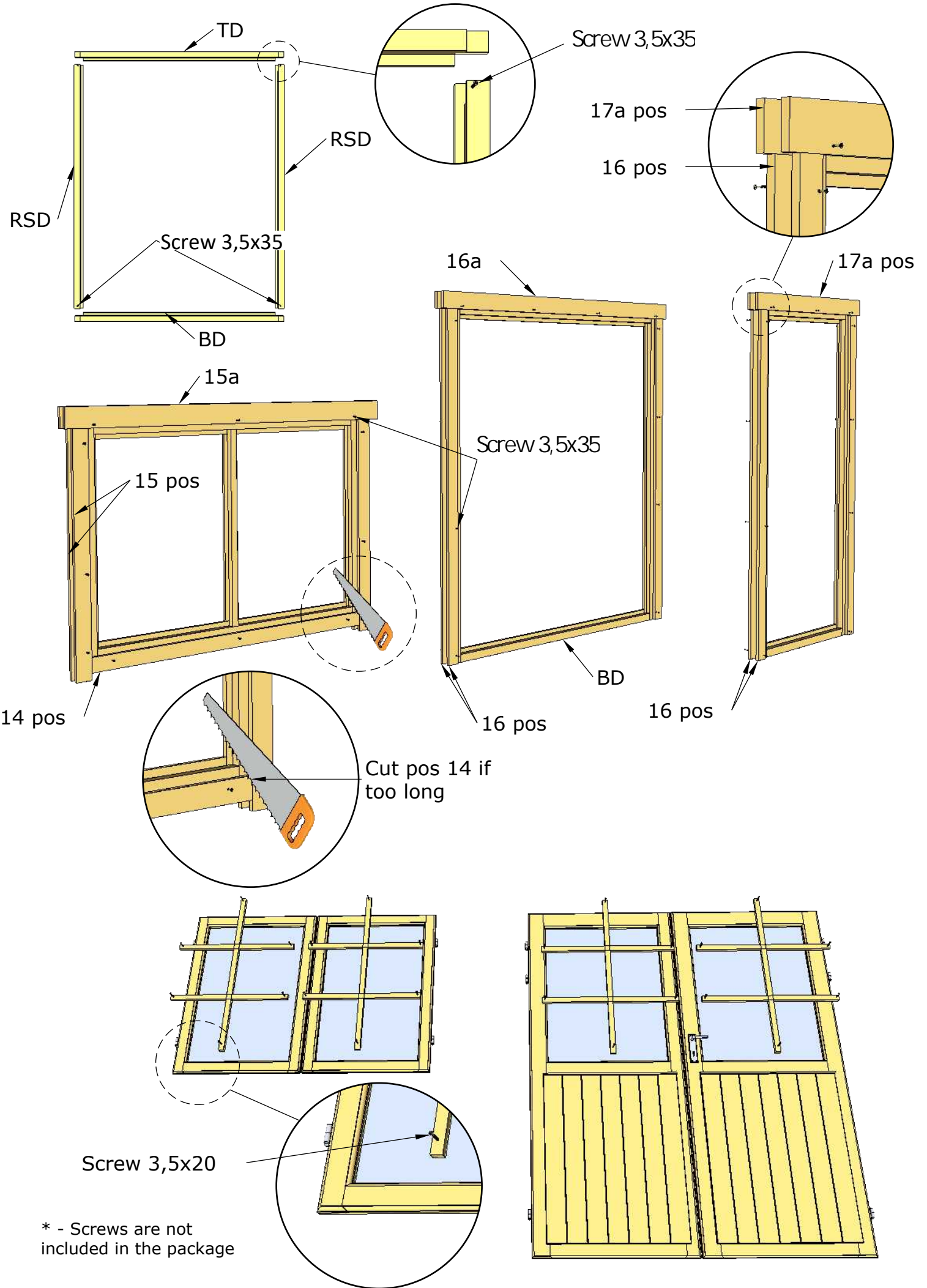
Normal ca 25 mm
min-max ca 5-90 mm

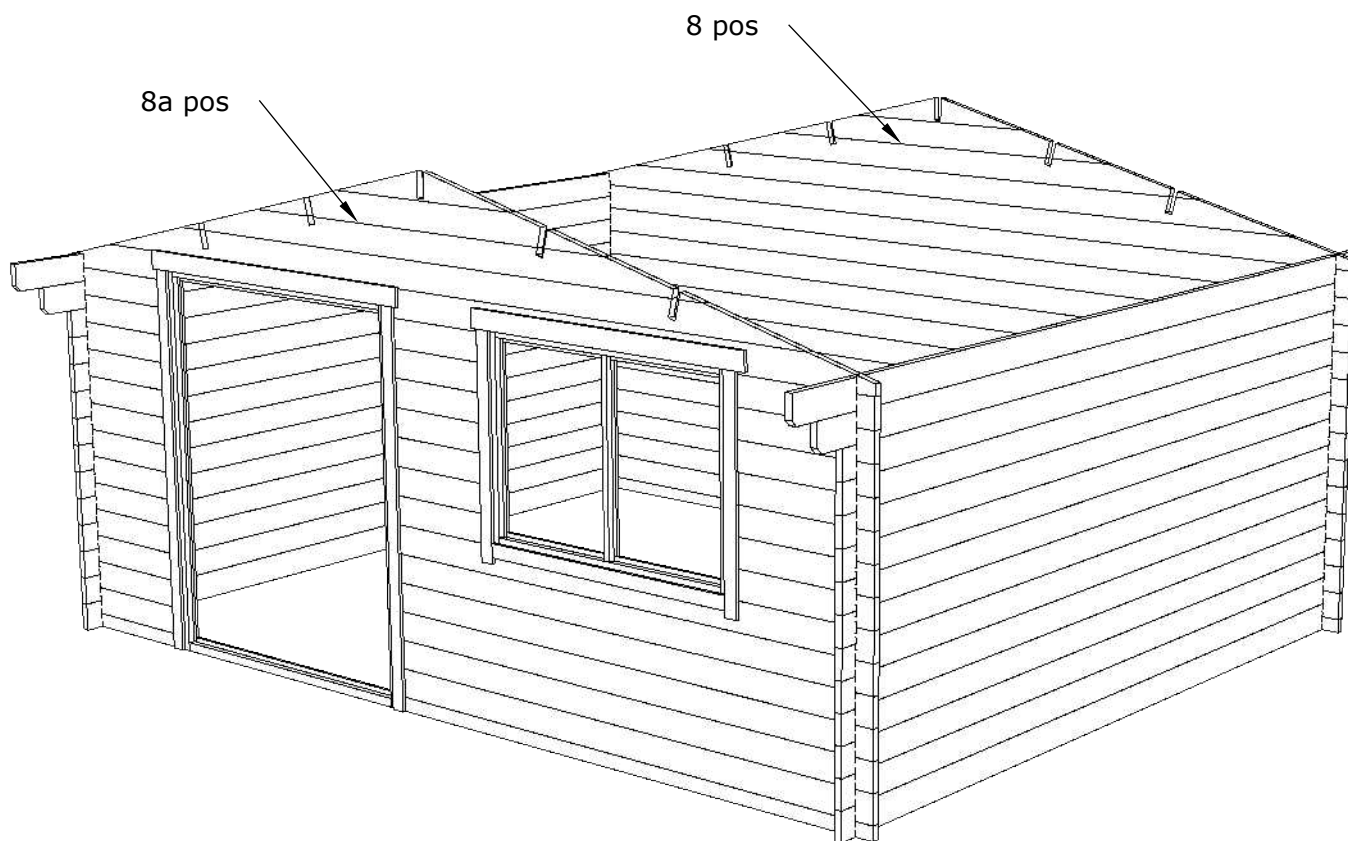
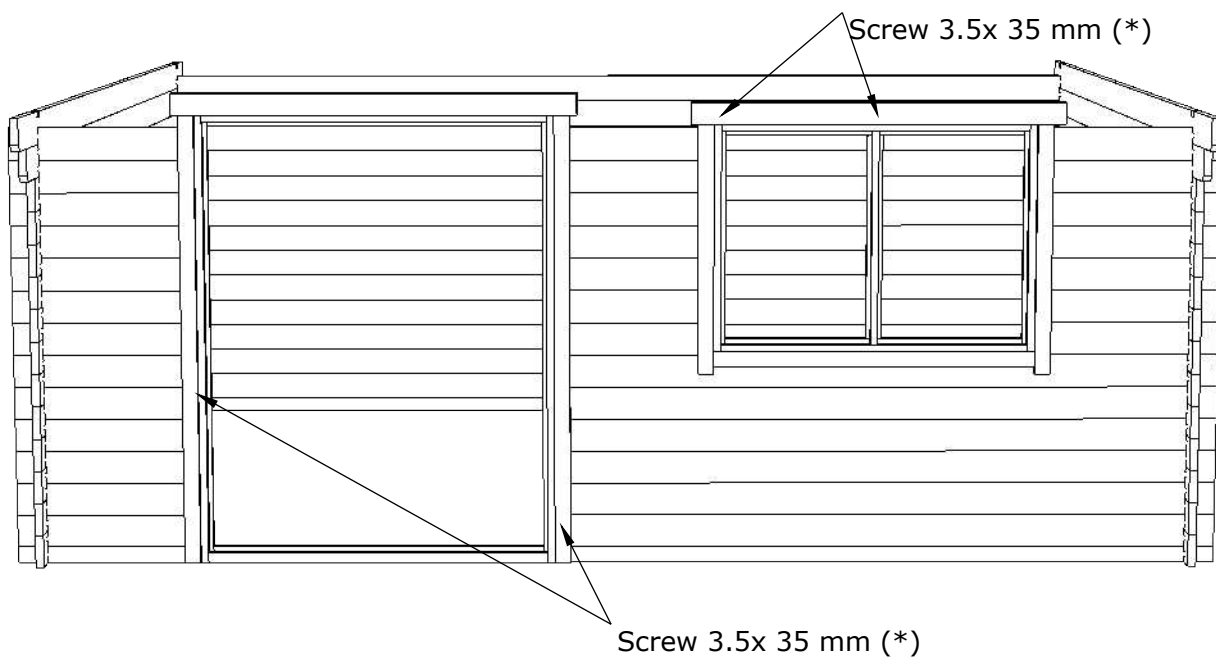
Door

Normal - ca 40 mm;
min - ca 5 mm;
max - ca 90 mm

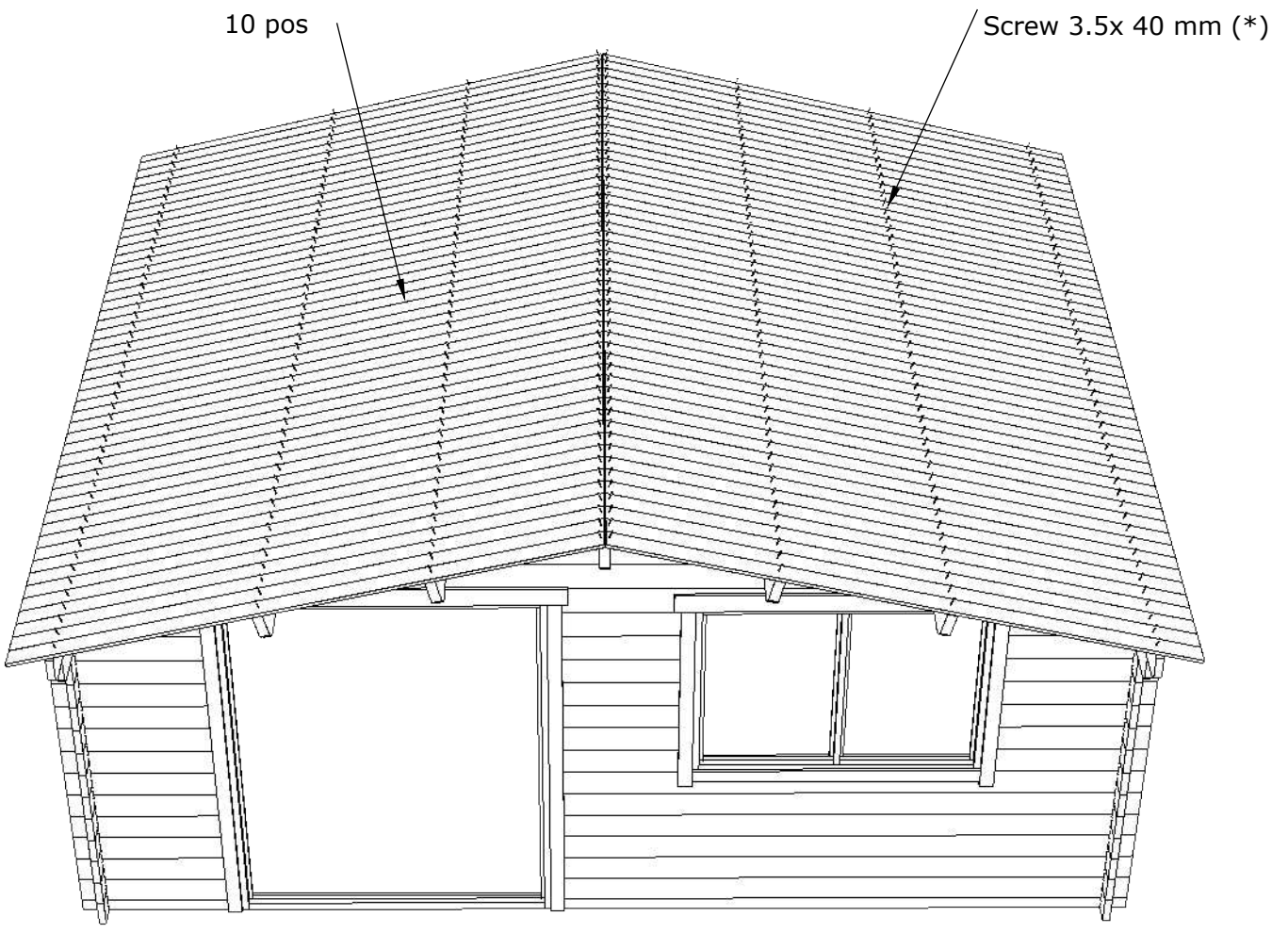
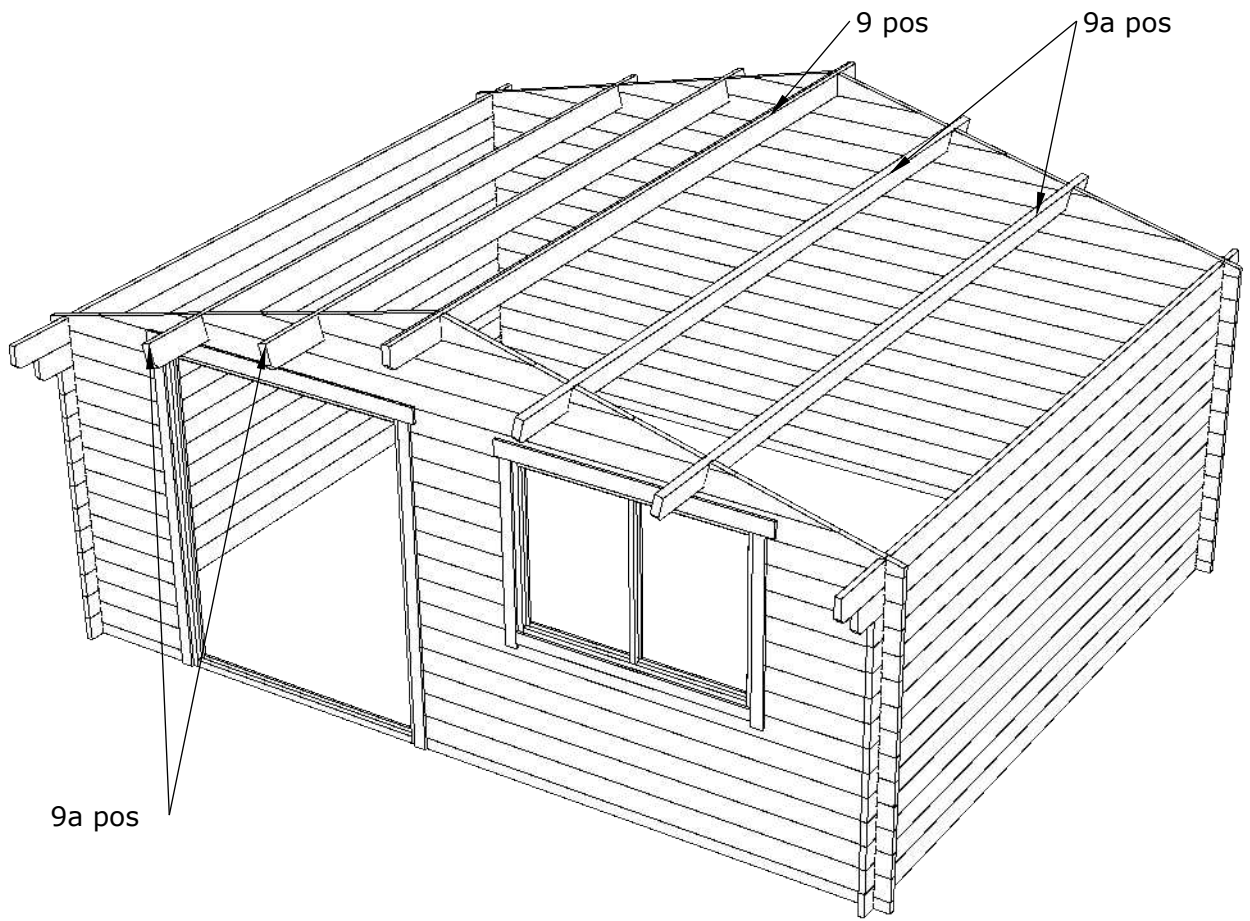


The guide is illustrative. This guide is not project specification.

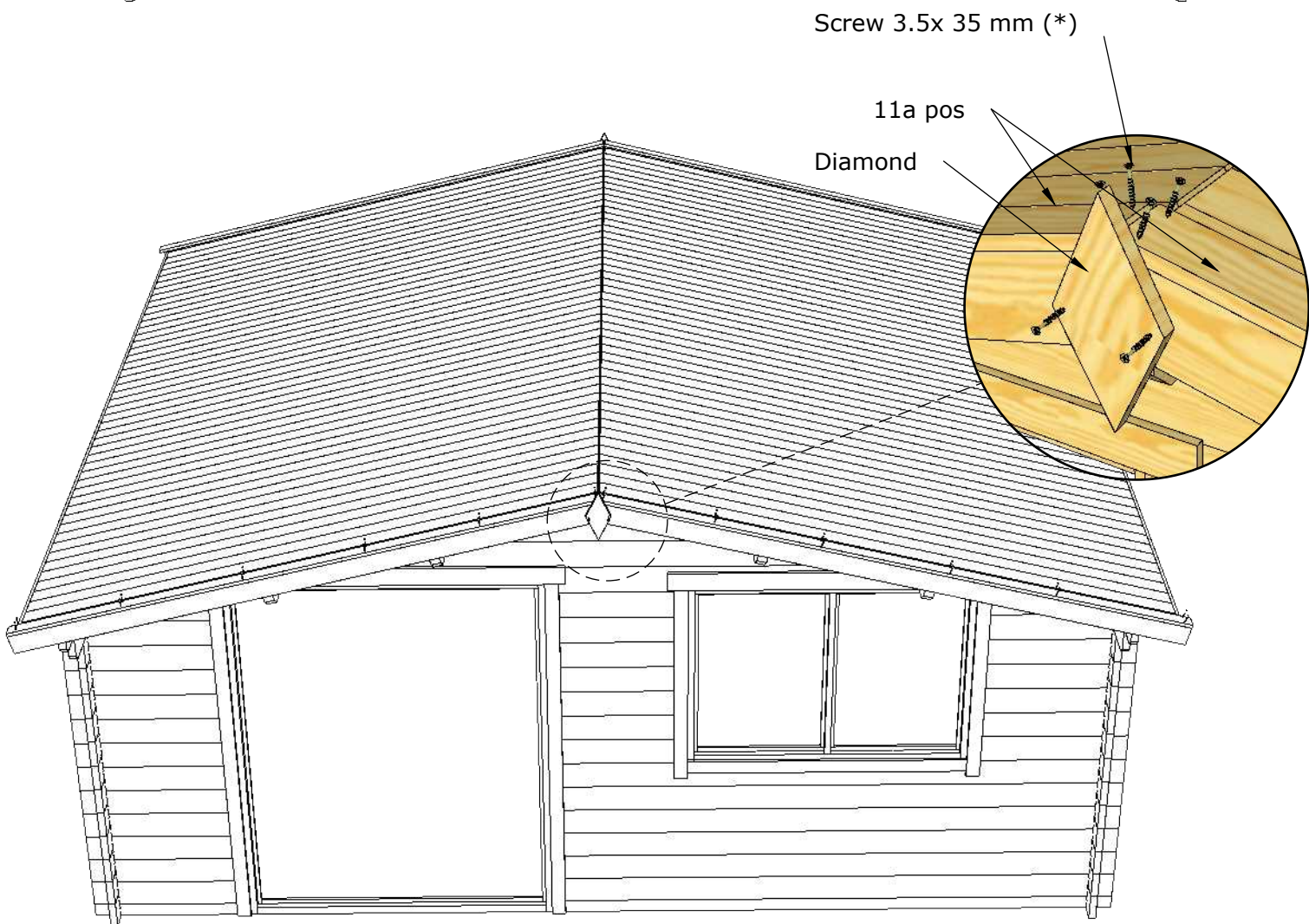
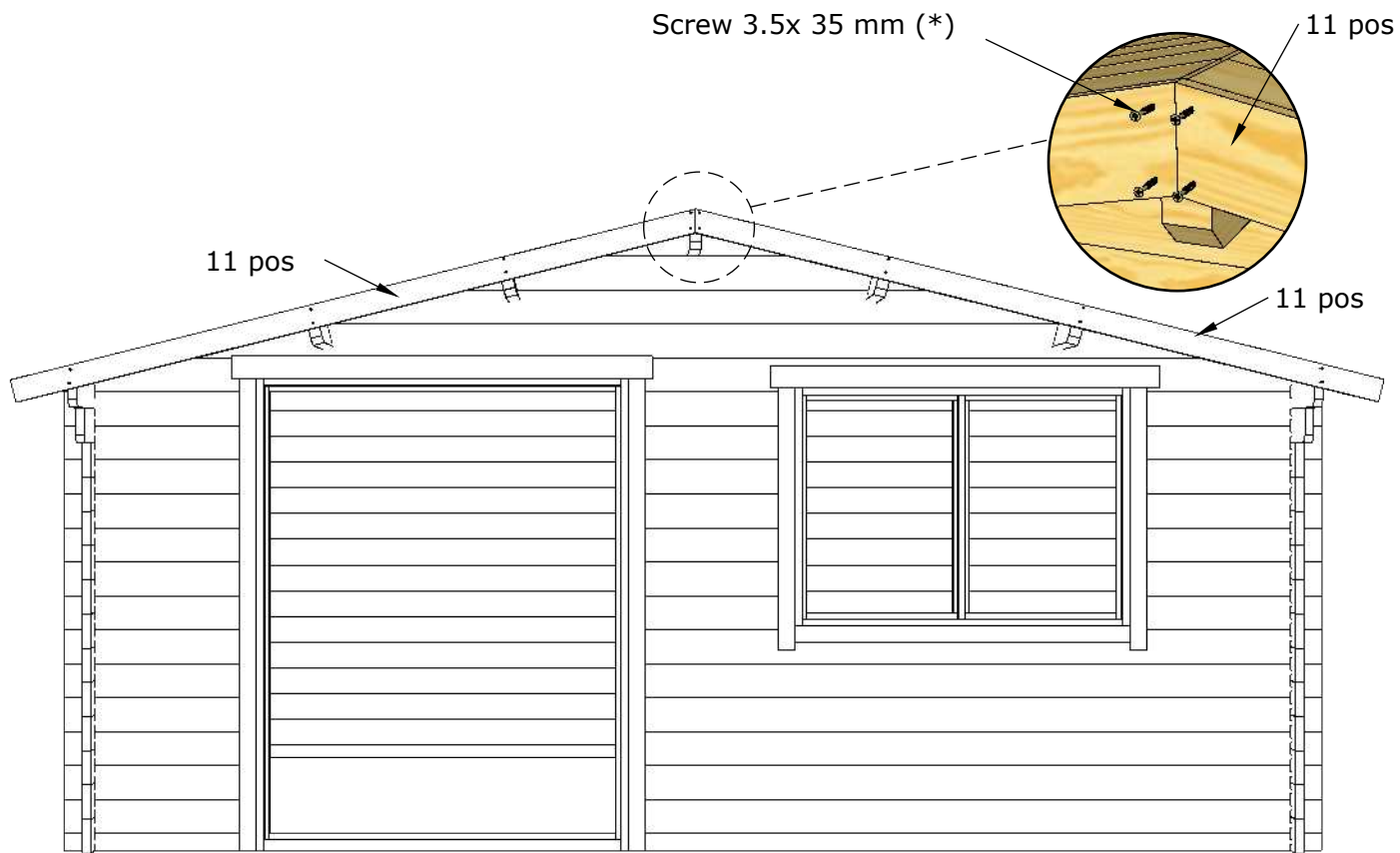




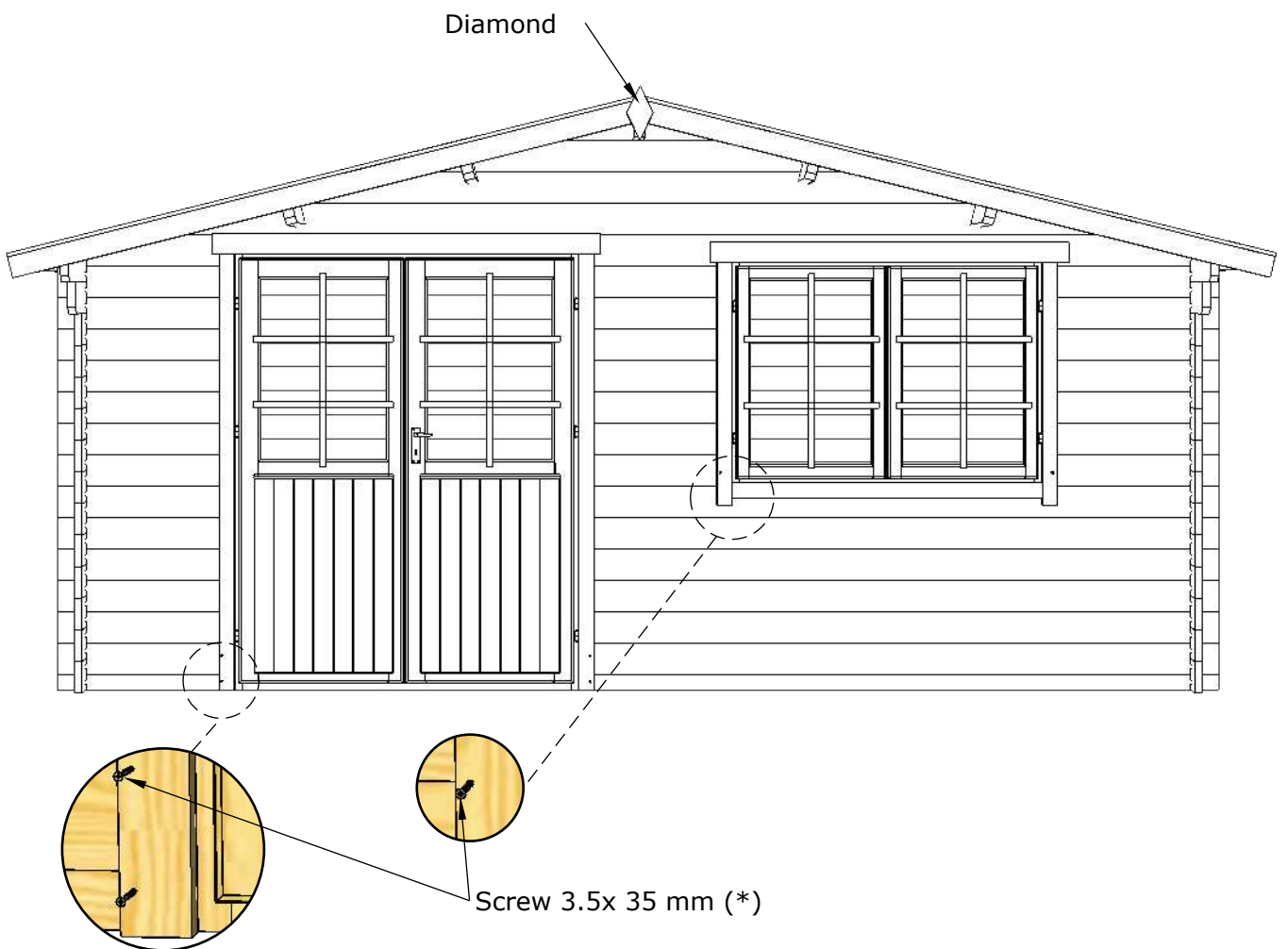
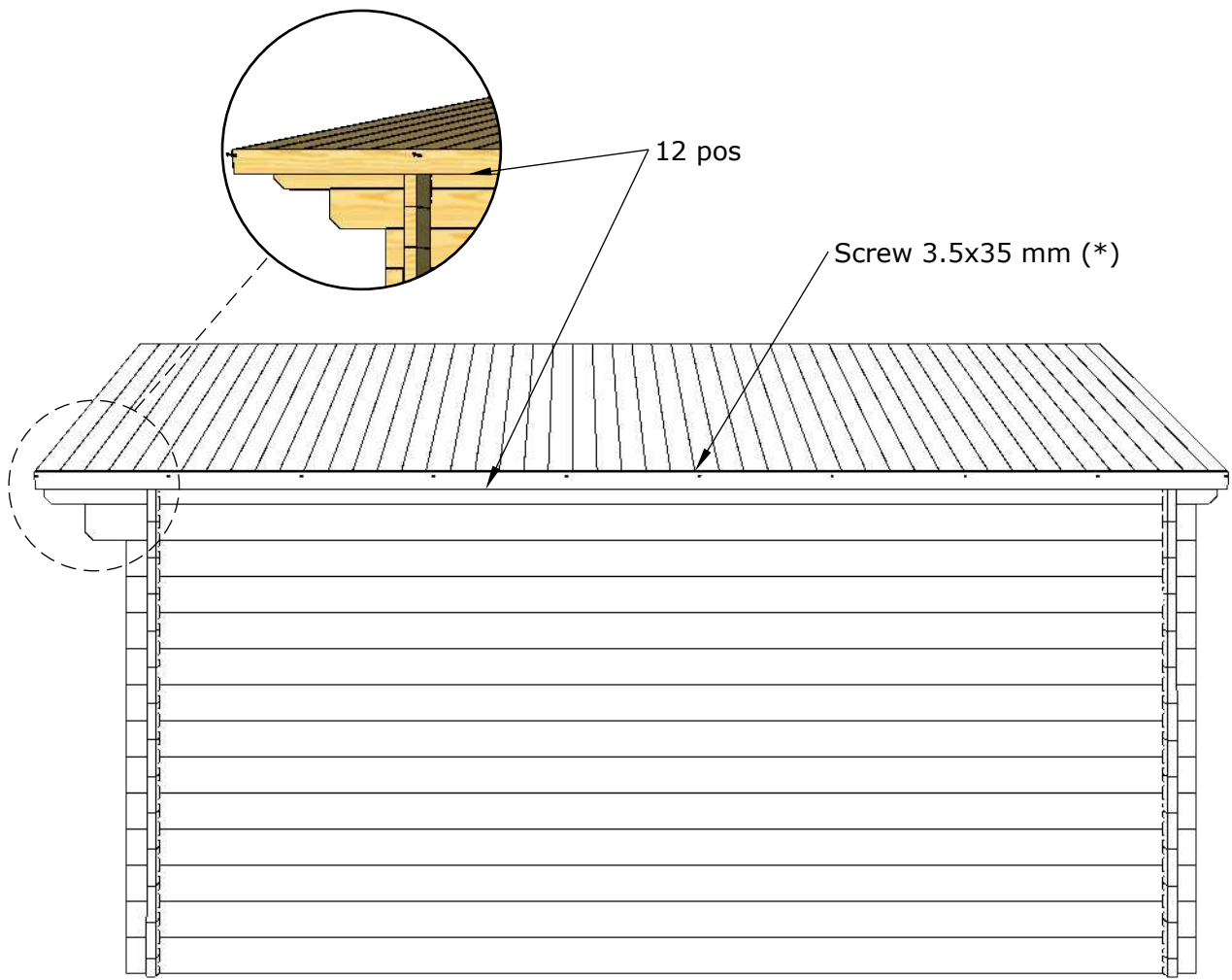
(*) Screws are not included in the package



(*) Screws are not included in the package

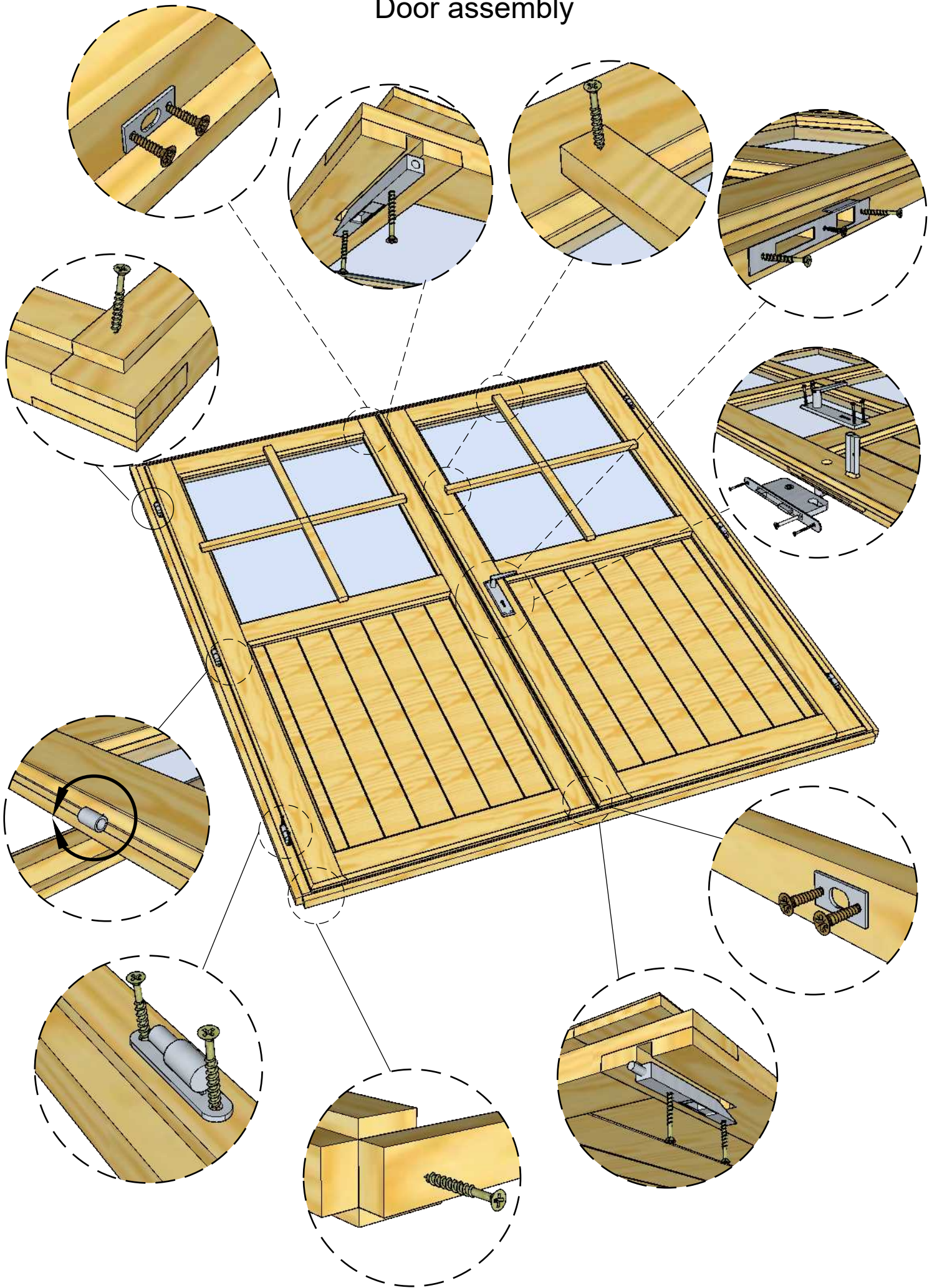


(*) Screws are not included in the package

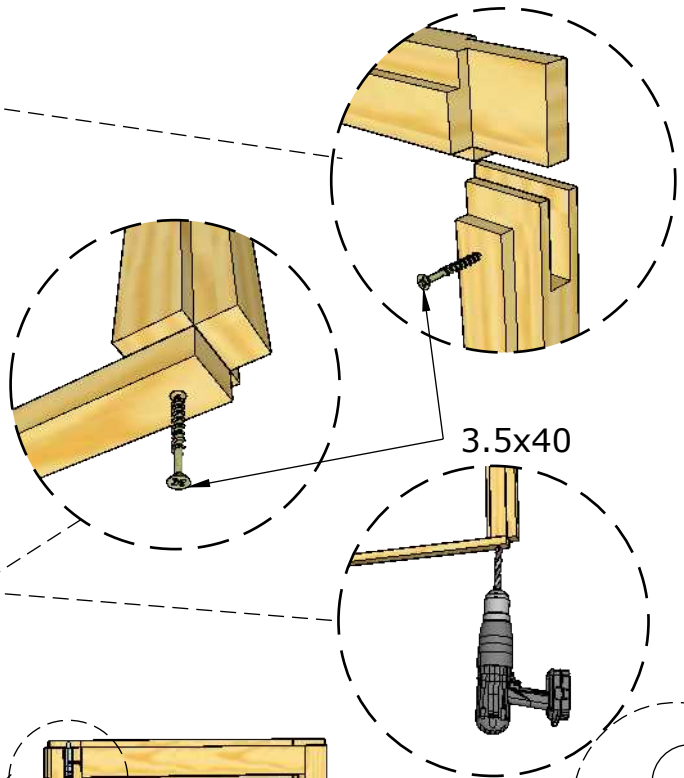
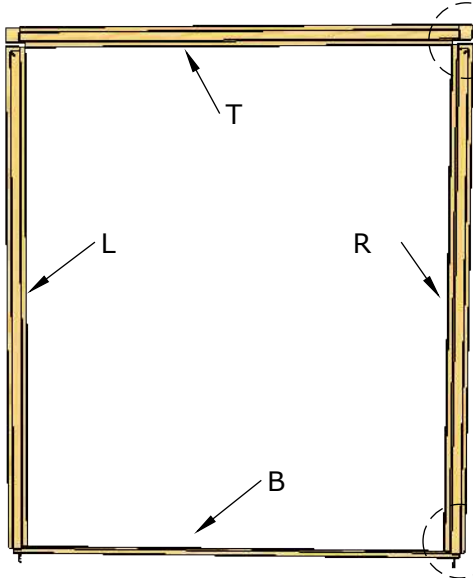


(*) Screws are not included in the package

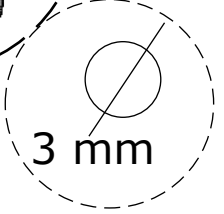
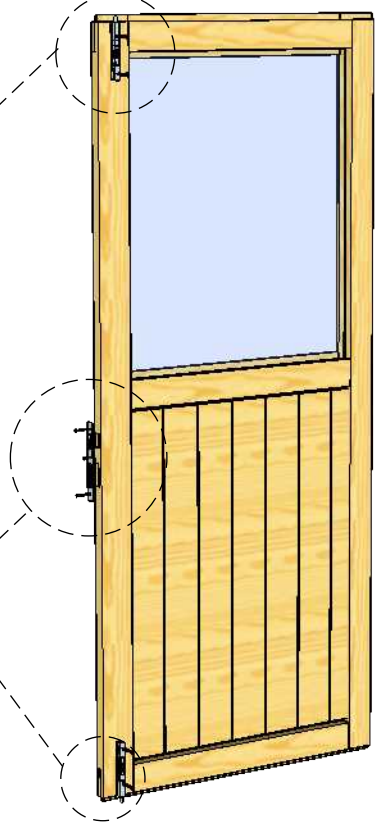
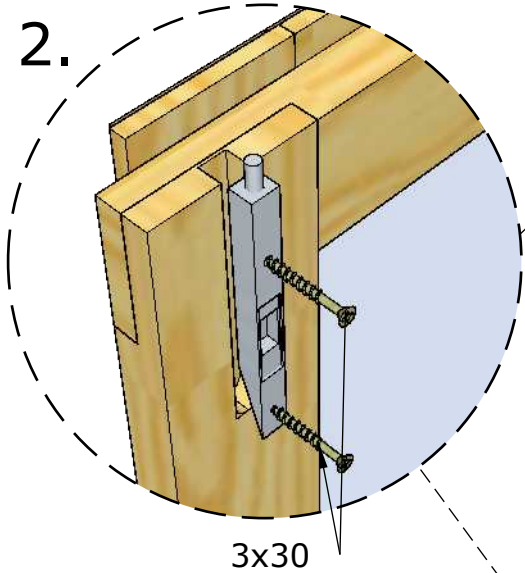
Door assembly



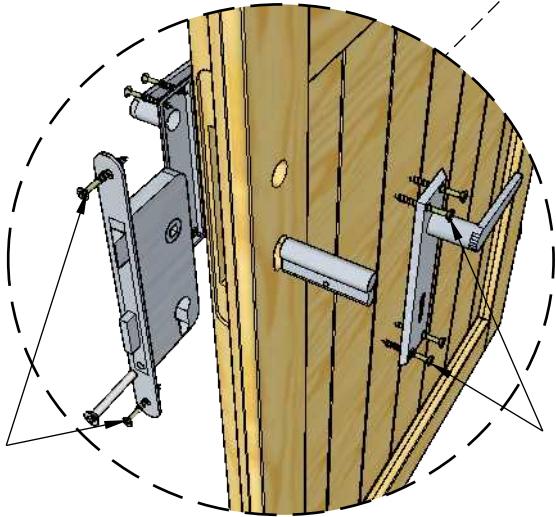
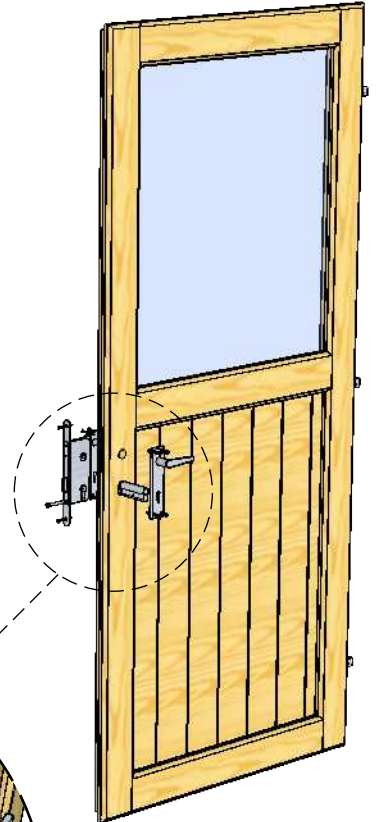
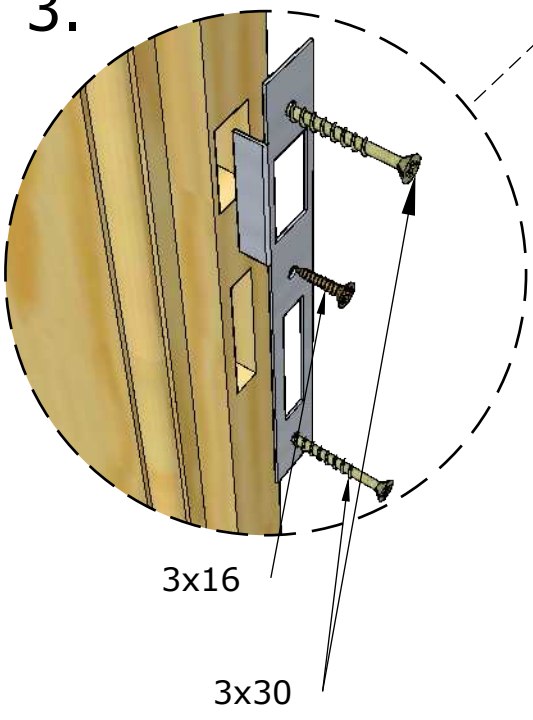
1.



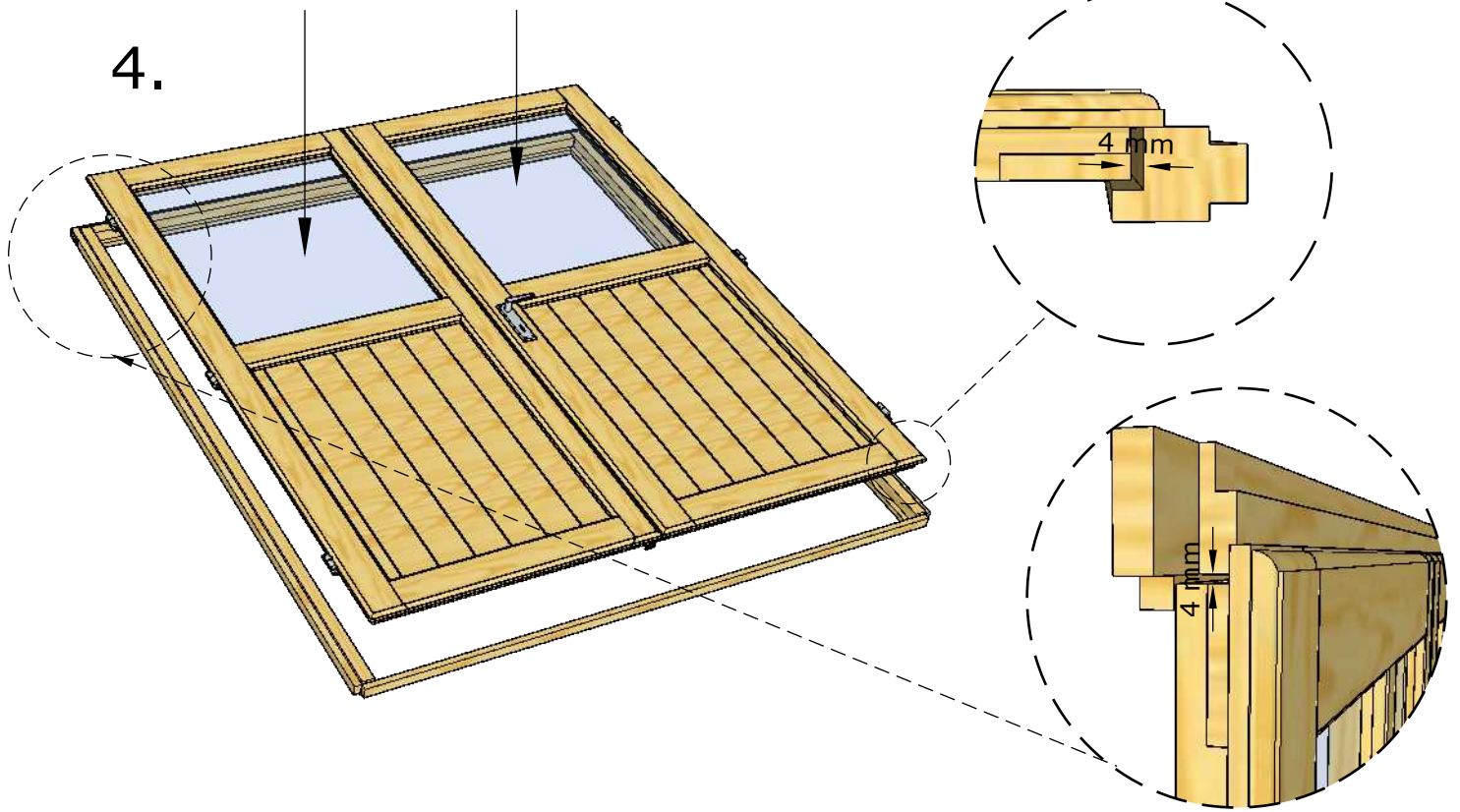
2.



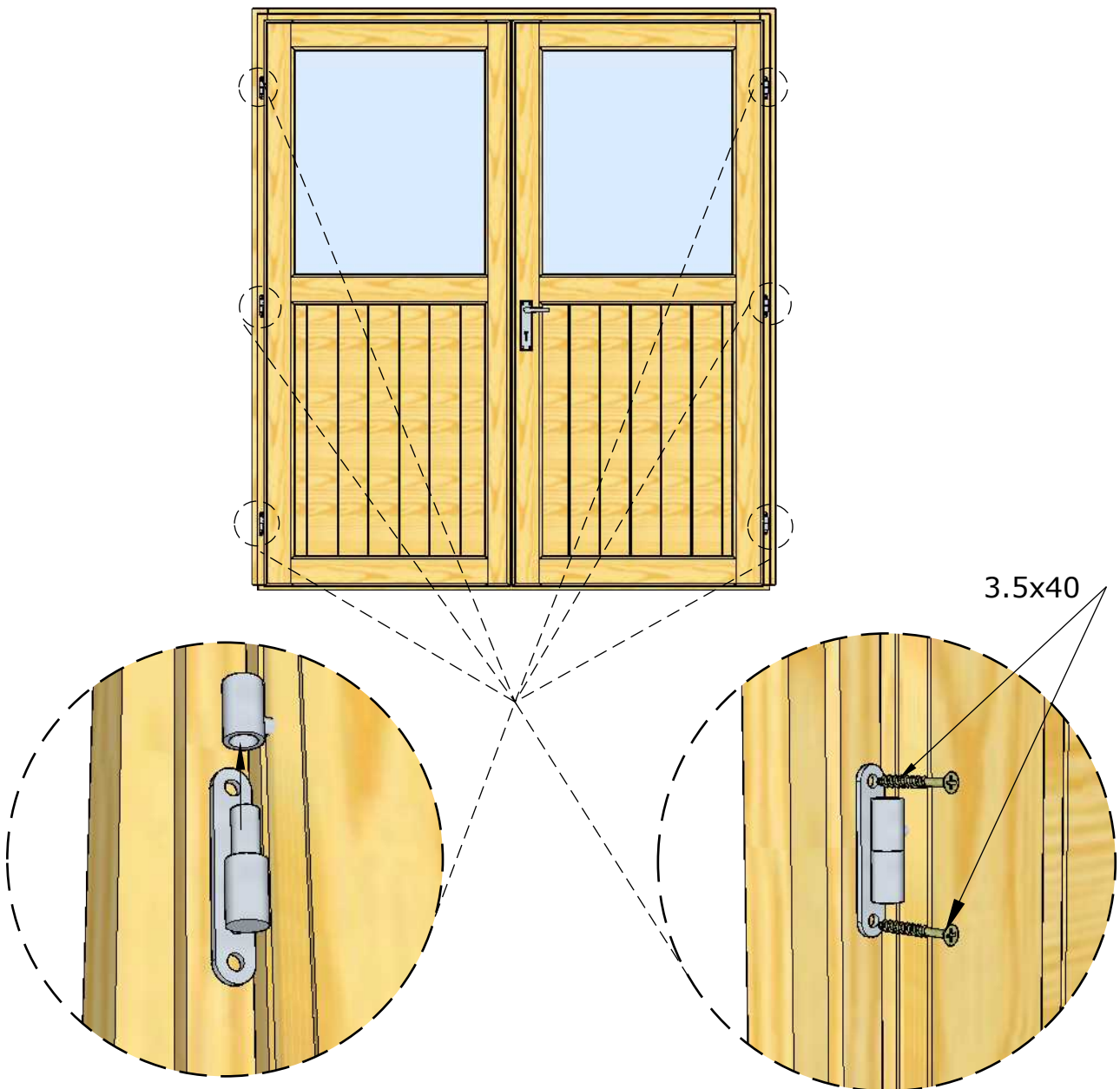
3.



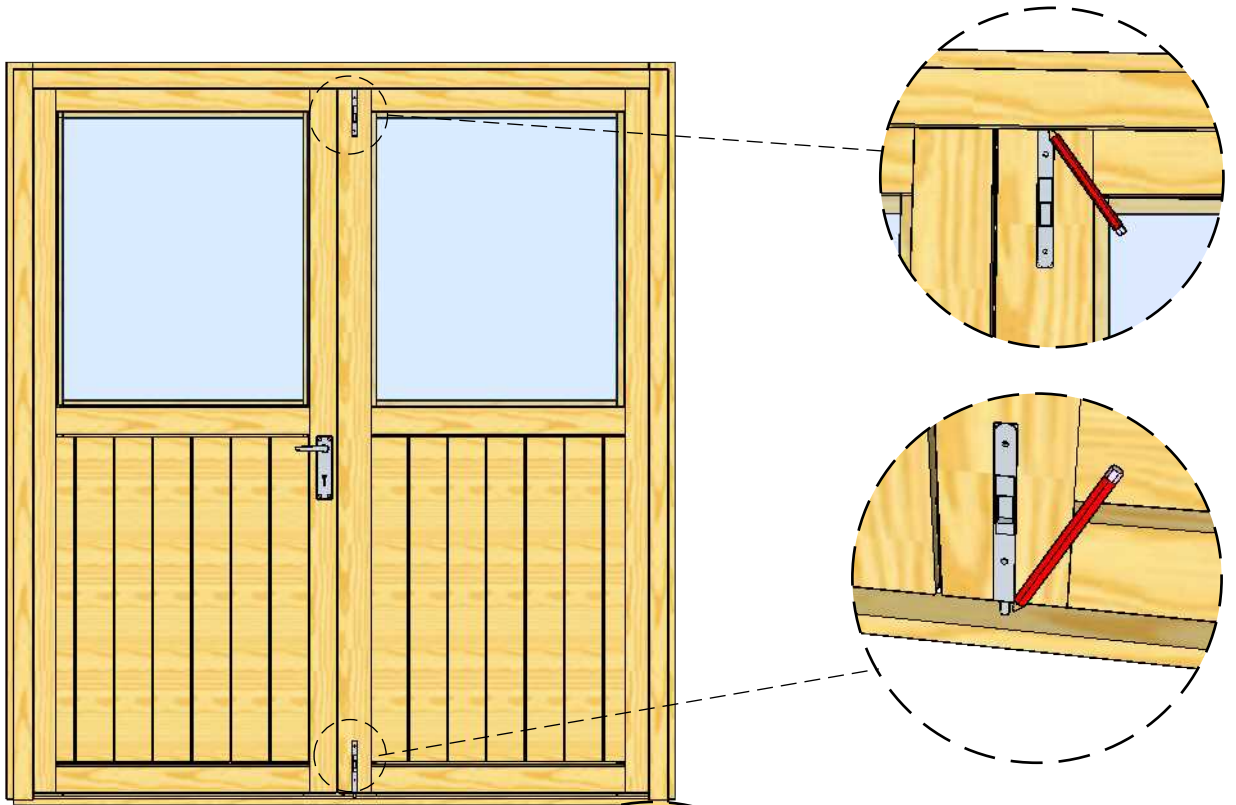
4.



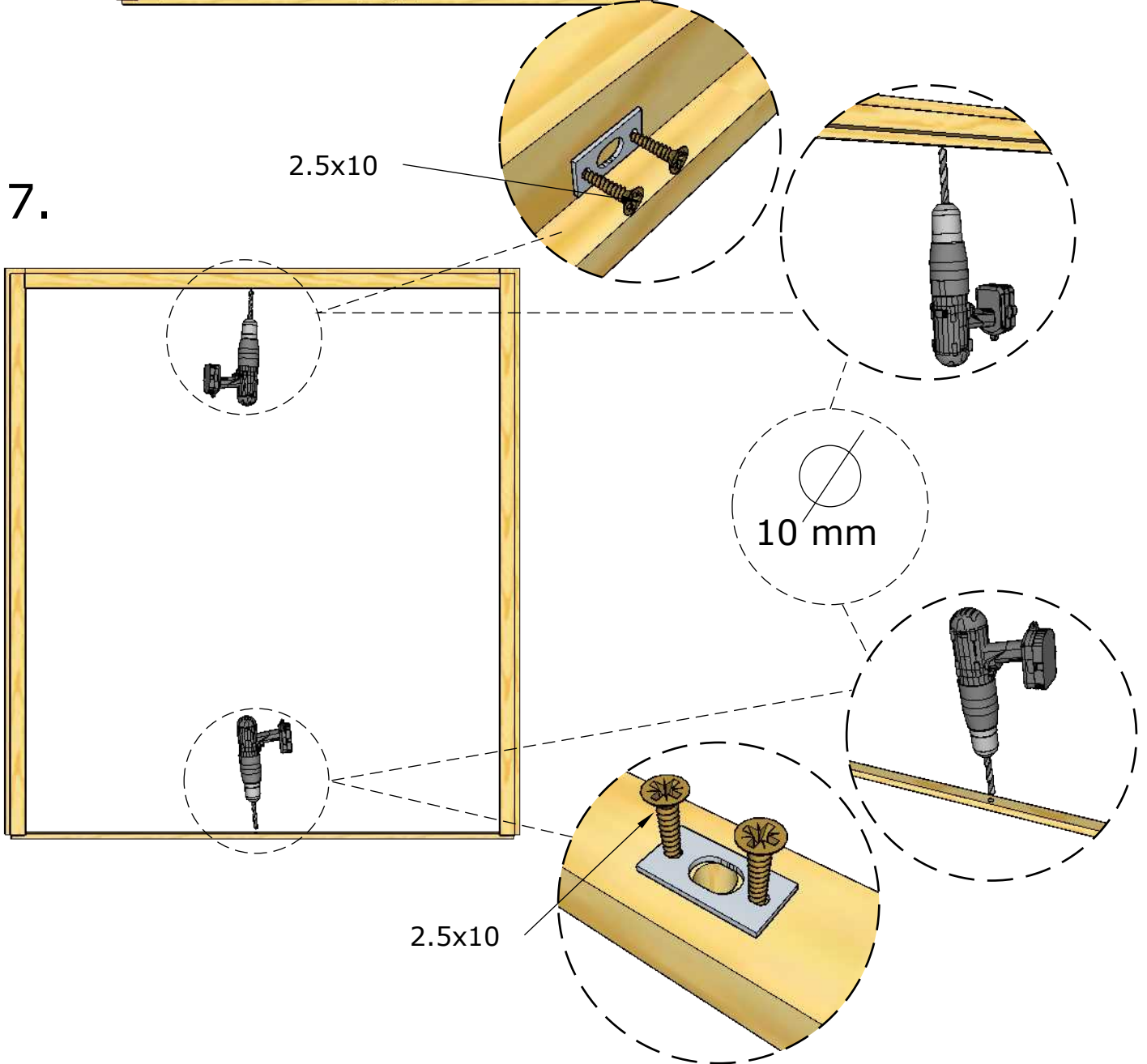
5.



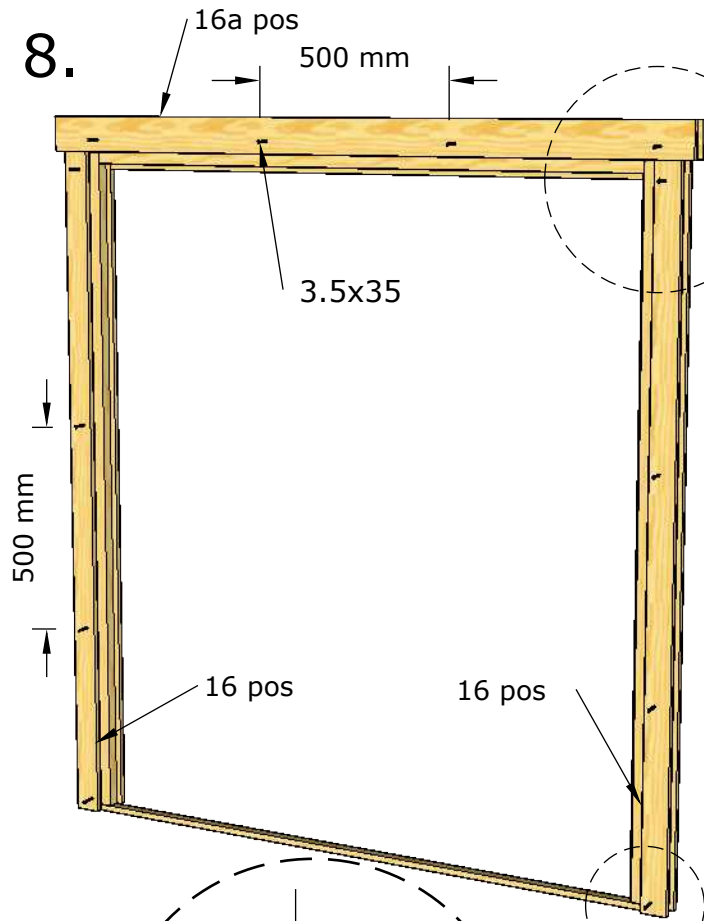
6.



7.



8.



3.5x35

16a pos

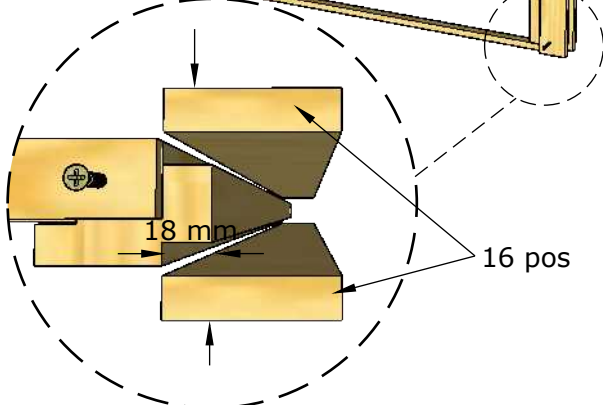
16 pos

3.5x35

500 mm

16 pos

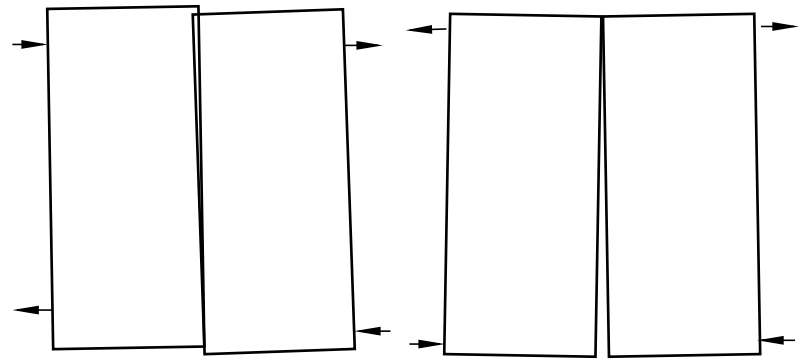
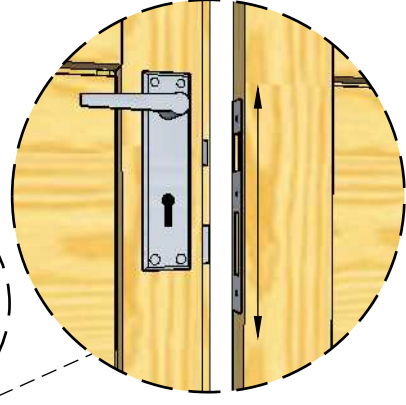
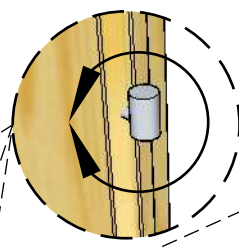
16 pos



18 mm

16 pos

9.



3,5x20

