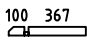
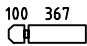
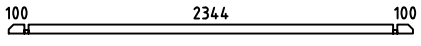
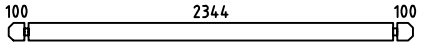
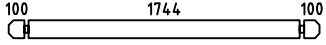
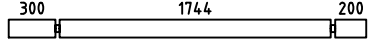
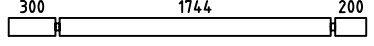
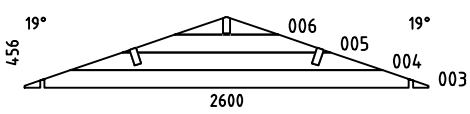
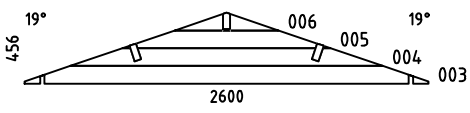
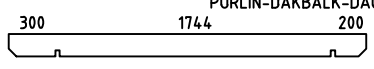
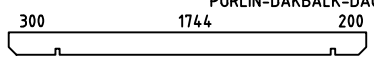


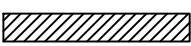



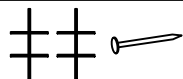
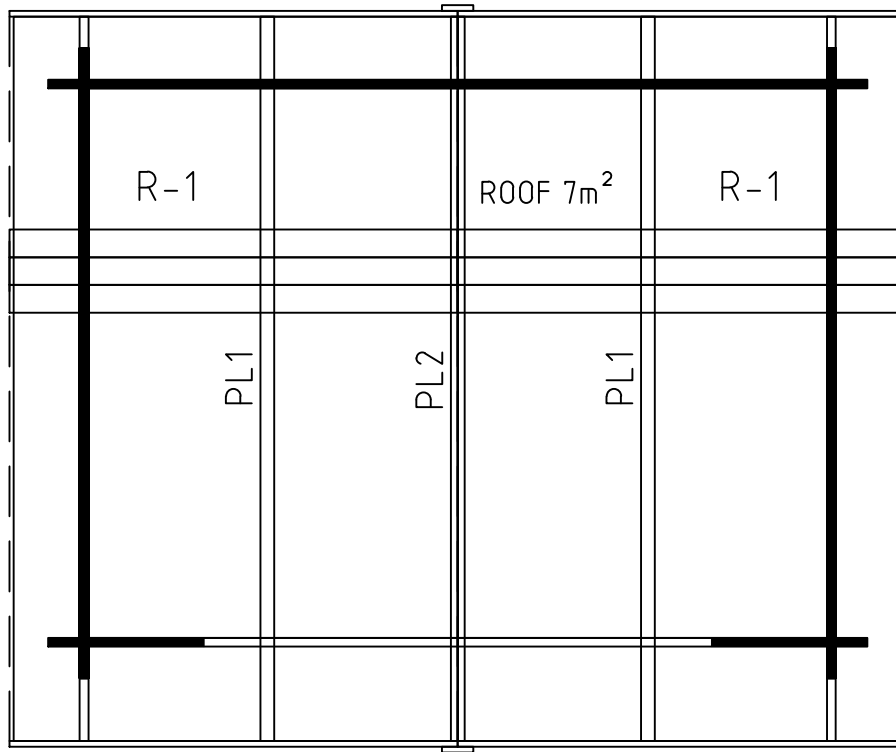


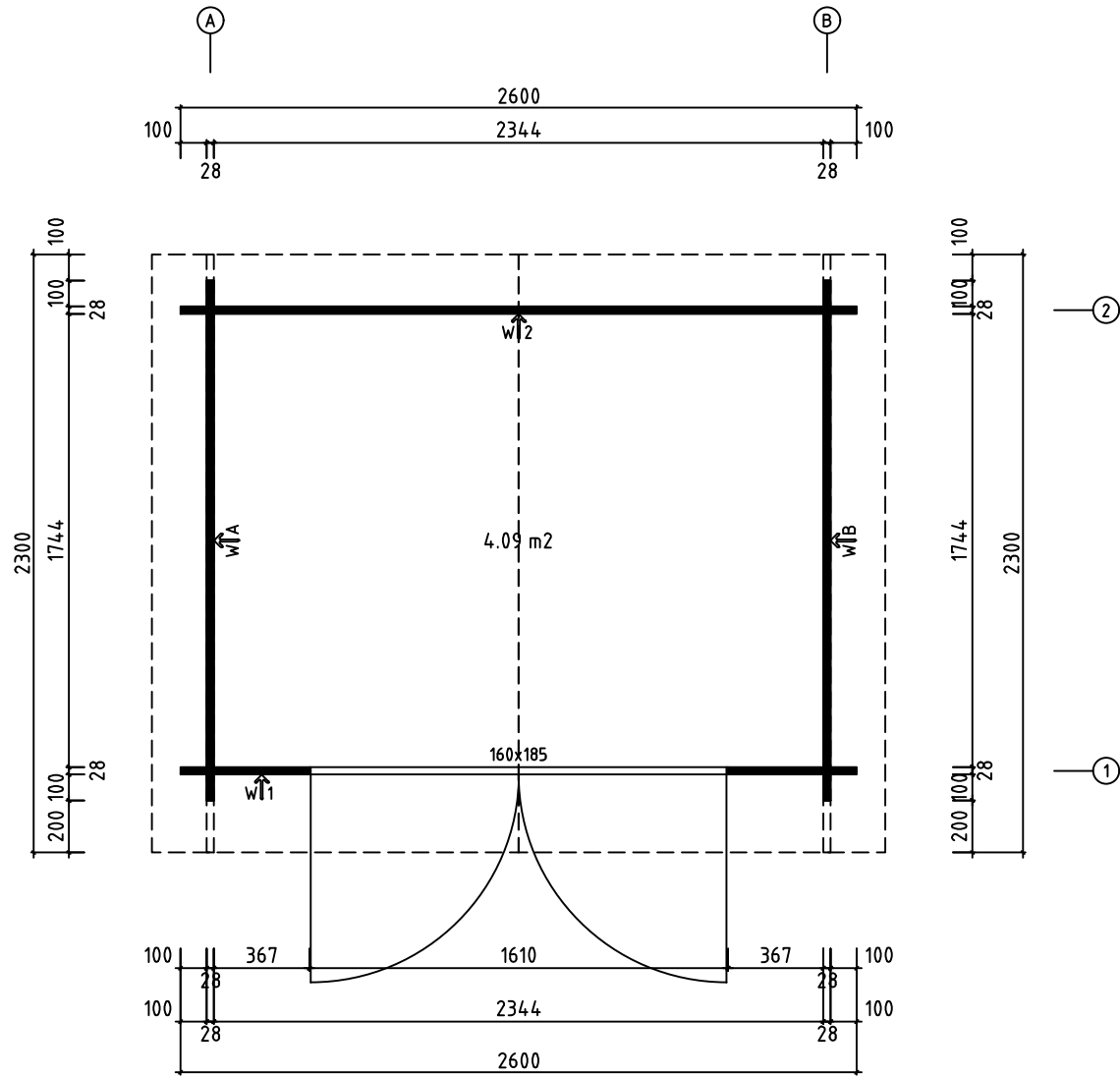
Robert28

Pos	Specification-Spezifikation-Specificatie-Nomenclature-Elementi-Especificacion Robert28	Qty	Profile (mm)	Lenght (mm)
001		2	28x57	495
002		32	28x114	495
007		1	28x57	2600
008		16	28x114	2600
009		32	28x114	2000
010		1	28x114	2300
011		1	28x114	2300
W1-1		1		
W2-1		1		
PL1	 PURLIN-DAKBALK-DACHPFETTE-PANNE-ARCARECCIO-CORREA	2	44x144	2300
PL2	 PURLIN-DAKBALK-DACHPFETTE-PANNE-ARCARECCIO-CORREA	1	44x144	2300
R-1	Roof board-Dachbrett-Dakplank-Volige-Tavola tetto-Tabla de tejado 	54+2 42+2	88x18 114x18	1490
GB-1	Gable board 95-Giebelblende-Gevelplank-Planche de rive-Tavola di bordo-Tabla de borde 	2	18x95	2300
GB-1	Gable board 120-Giebelblende-Gevelplank-Planche de rive-Tavola di bordo-Tabla de borde 	4	18x120	1530
RL-1	Roofing lath 2000-Giebelleiste-Gevellijst-Latte de rive-Listello di bordo-Listones de borde 	6	18x40	12rmt.
D	Diamond 	2		
	Double door kit-Doppeltür satz-Dubbele deur set-Kit double porte-Kit porta-Kit para puerta 	1		
	Nail 1.6x30-Nagel-Spijker-Clou-Chiodo-Clavo 	10	1.6x30	
Kood	Robert28	Materjal	File	Robert28
			Leht	1/2

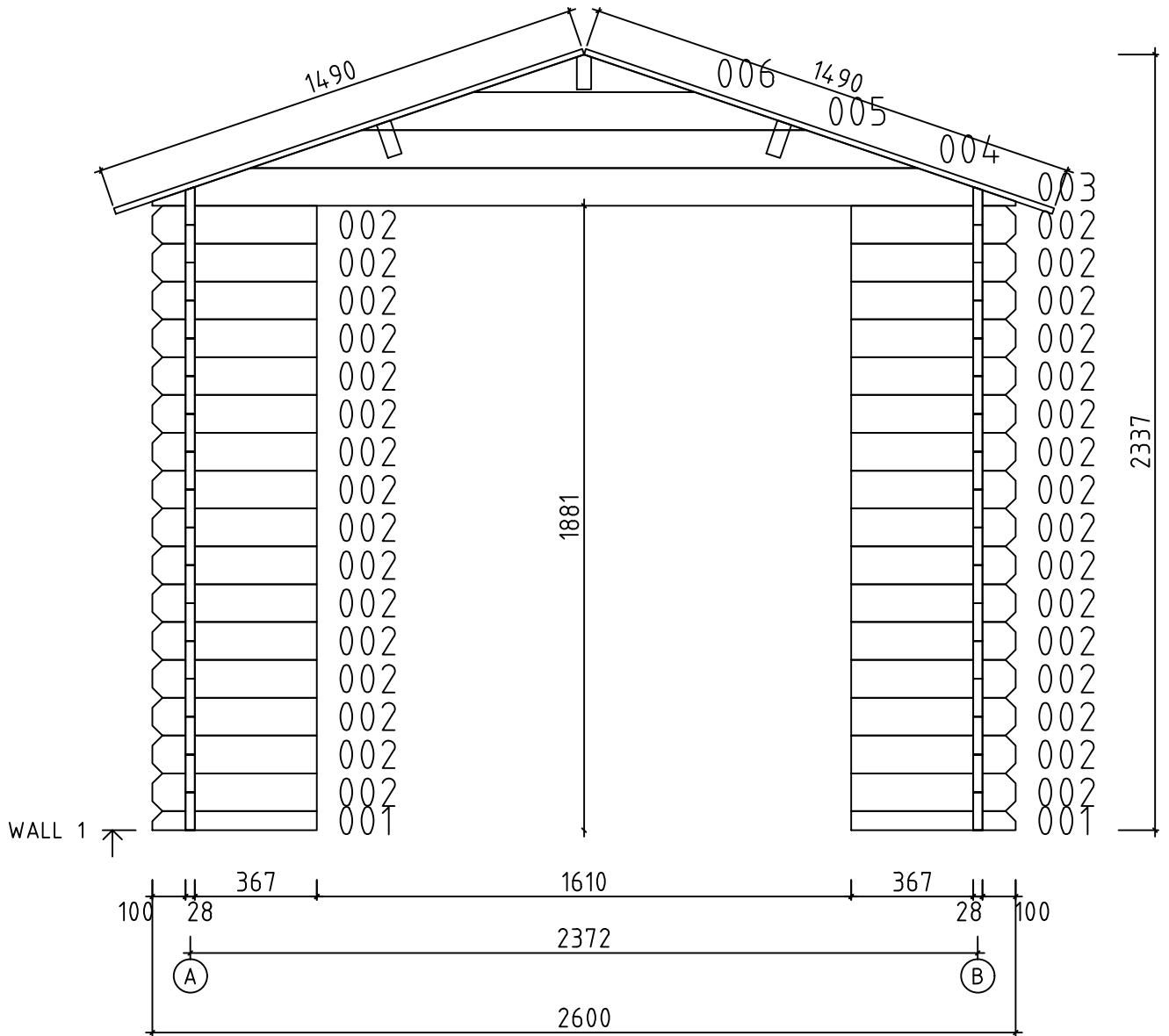
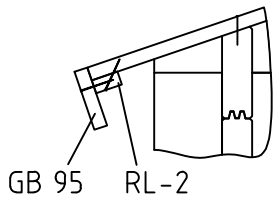


Model	Robert28	Page
Drawing	ROOF	Scale 1:20
Material	2.8x11.4	Date 08.12.2022
File	Robert28	Drawn by

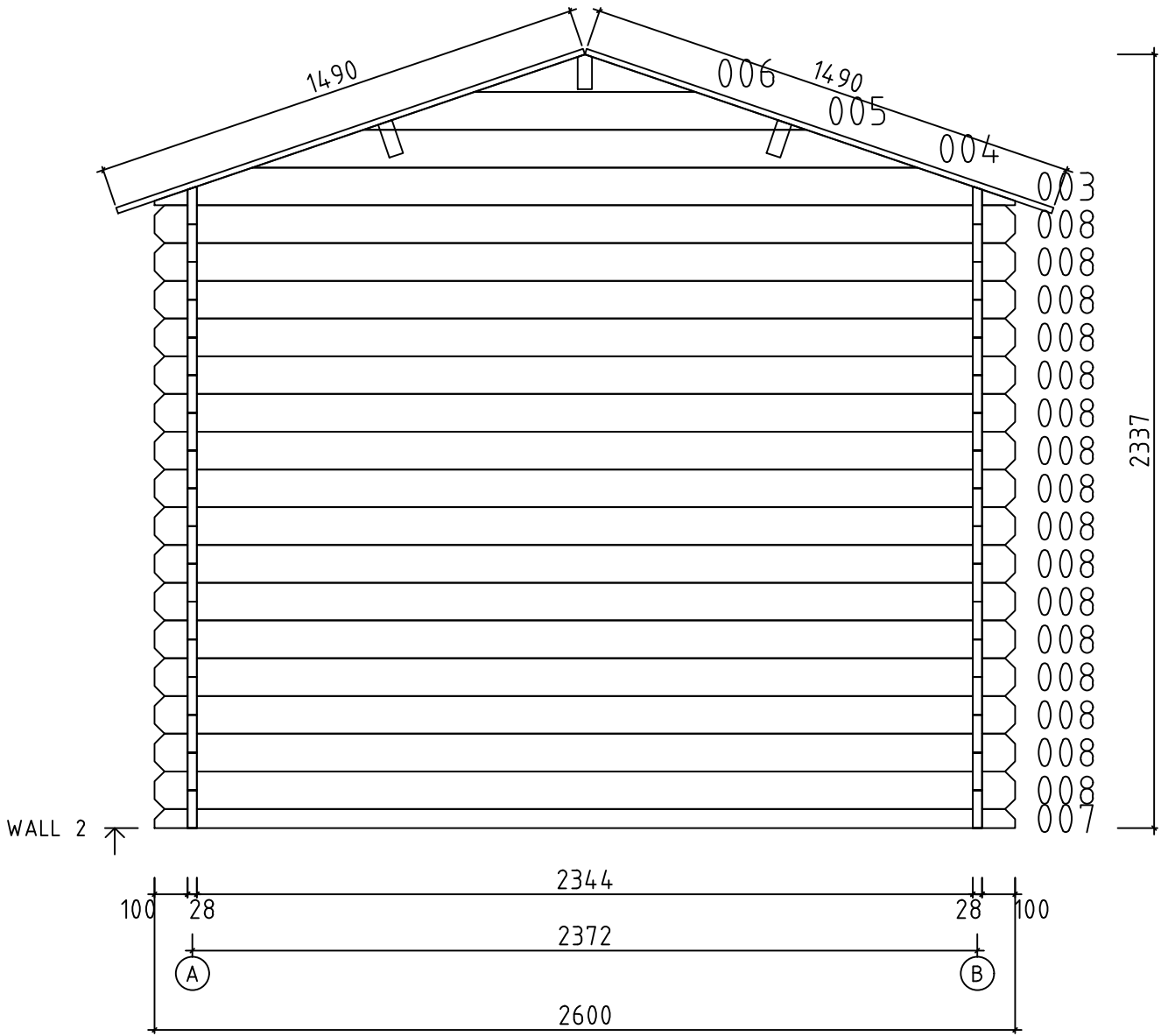
H = 1.600 m
 TOTAL: 4.09 m²



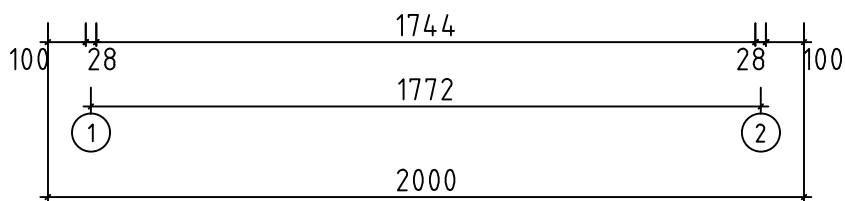
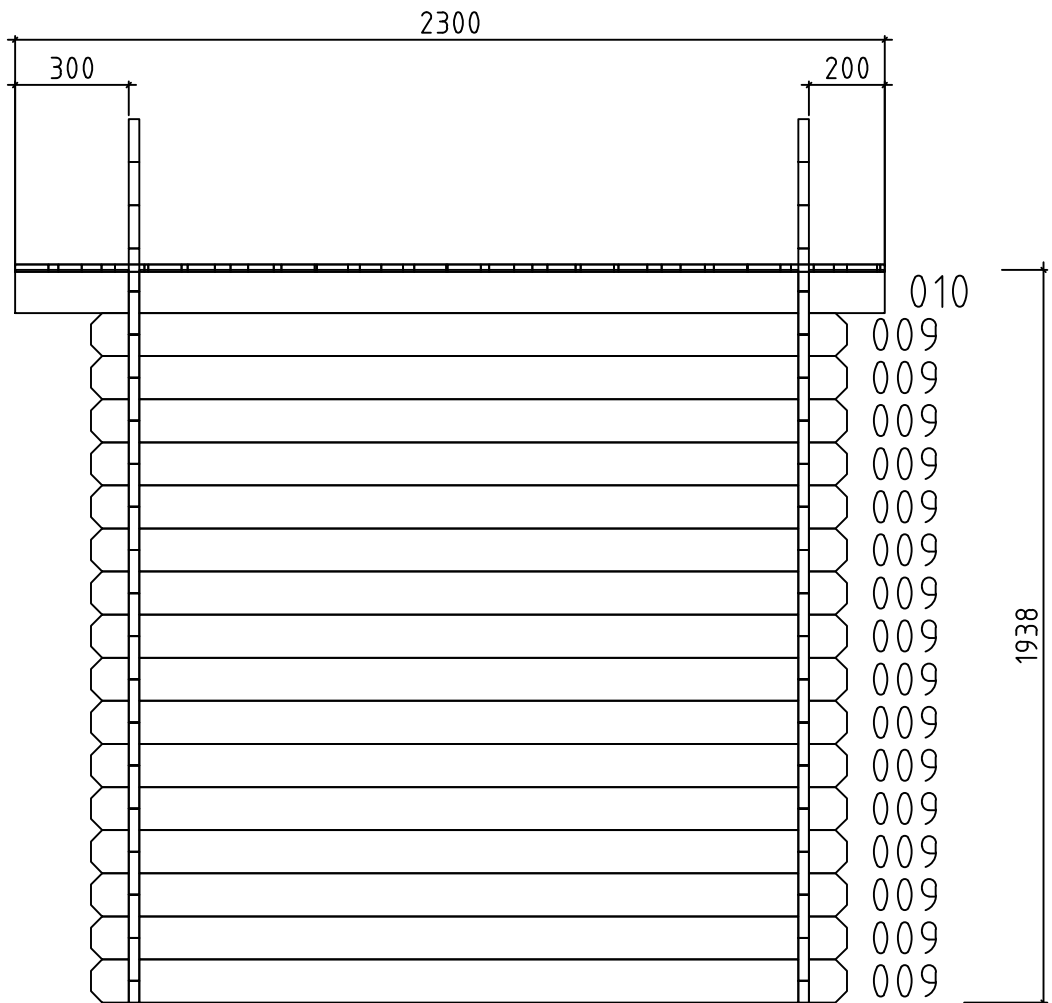
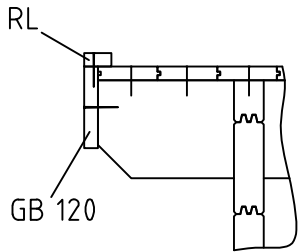
Model	Robert28	Page
Drawing	PLAN	Scale 1:20
Material	2.8x11.4	Date 08.12.2022
File	Robert28	Drawn by



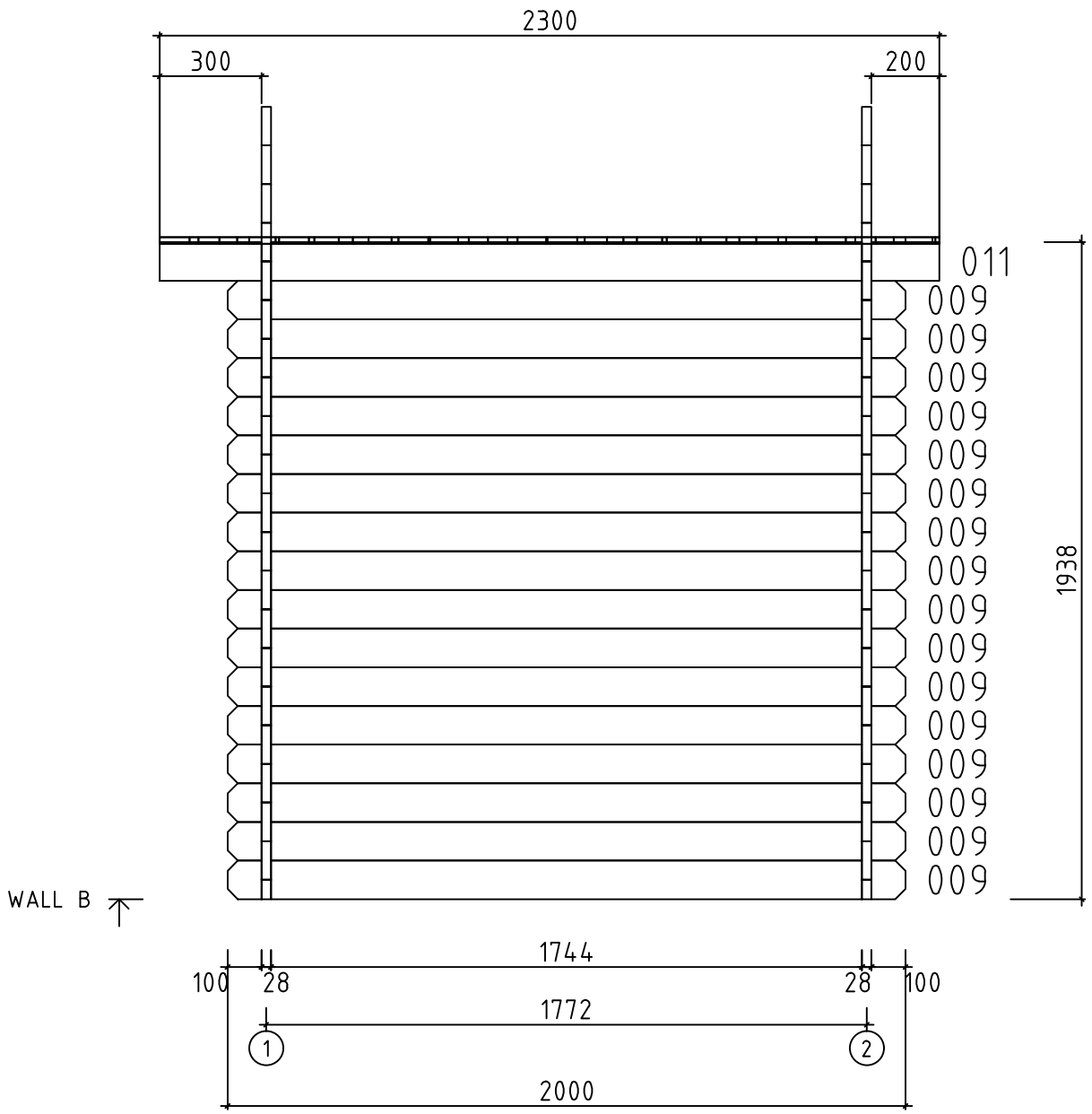
Model	Robert28	Page	4
Drawing	WALL 1	Scale	1:20
Material	2.8x11.4	Date	08.12.2022
File	Robert28	Drawn by	



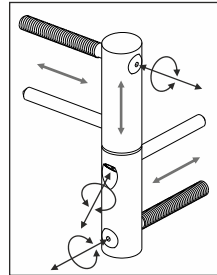
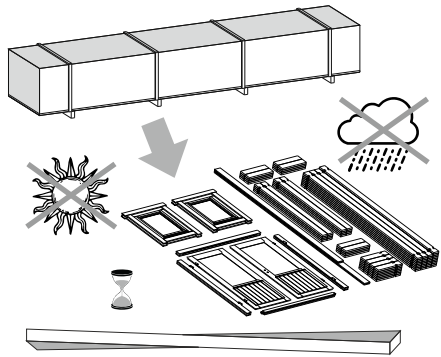
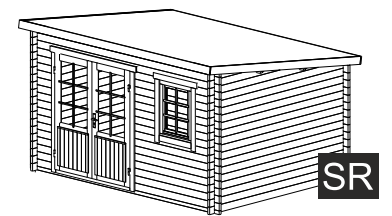
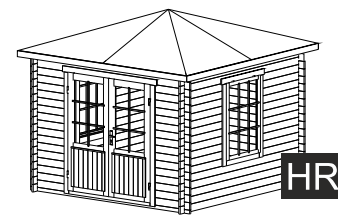
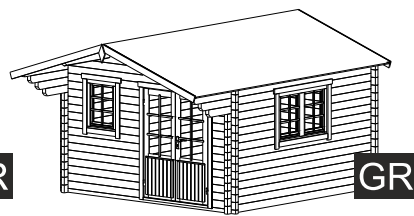
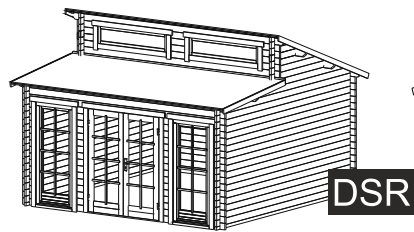
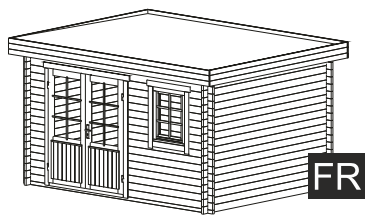
Model	Robert28	Page	5
Drawing	WALL 2	Scale	1:20
Material	2.8x11.4	Date	08.12.2022
File	Robert28	Drawn by	



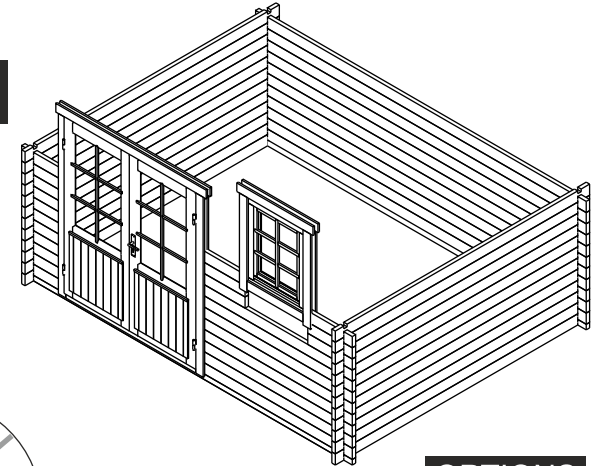
Model	Robert28	Page	2
Drawing	WALL A	Scale	1:20
Material	2.8x11.4	Date	08.12.2022
File	Robert28	Drawn by	



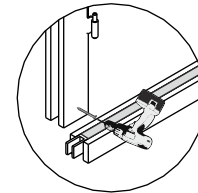
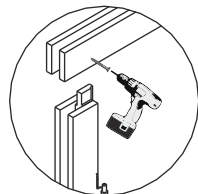
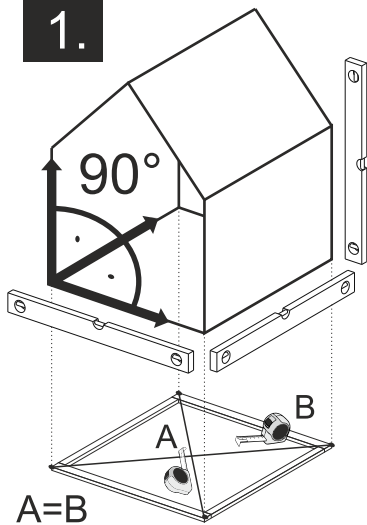
Model	Robert28	Page	3
Drawing	WALL B	Scale	1:20
Material	2.8x11.4	Date	08.12.2022
File	Robert28	Drawn by	



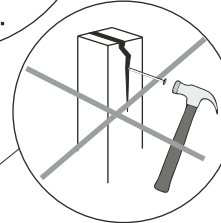
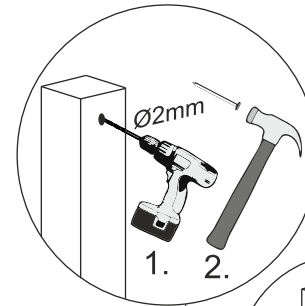
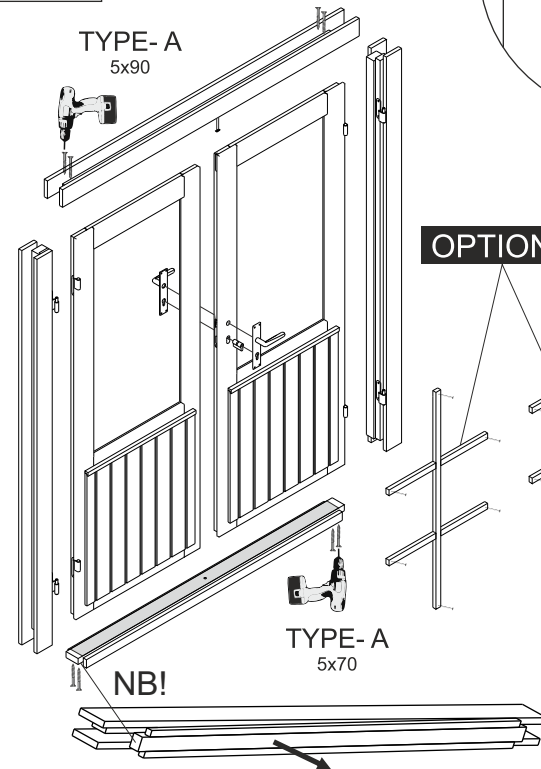
3.



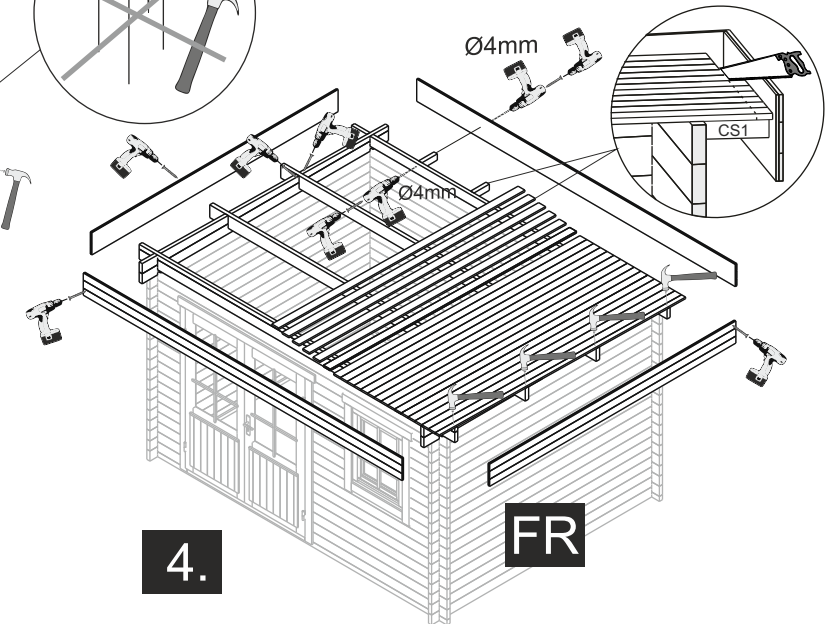
1.



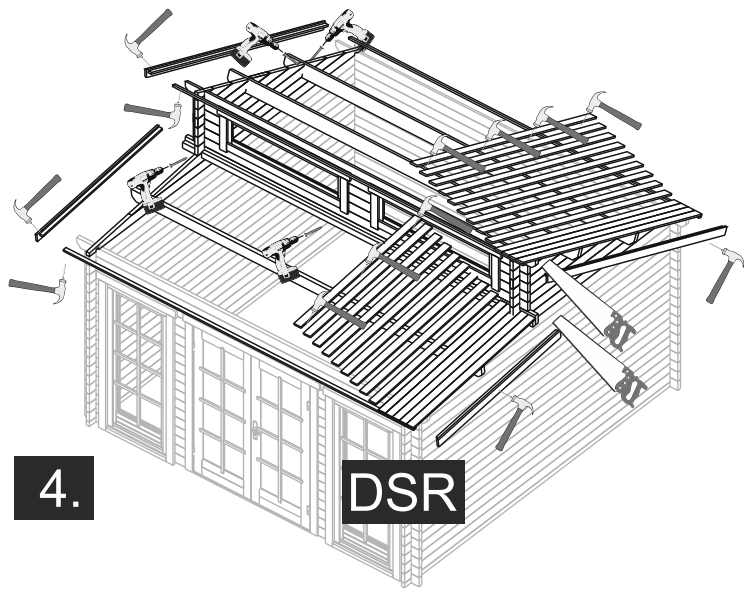
2.



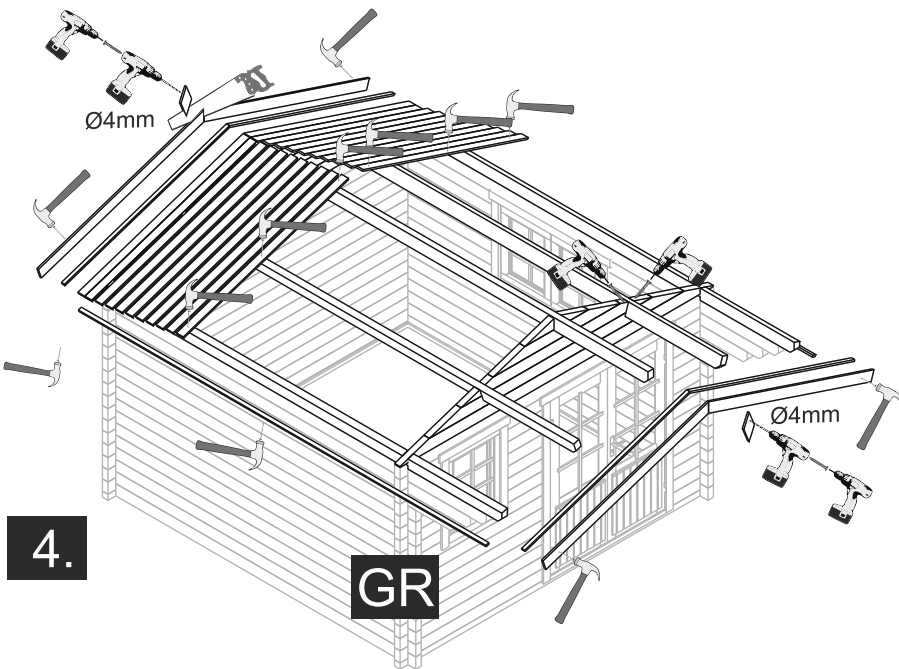
4.



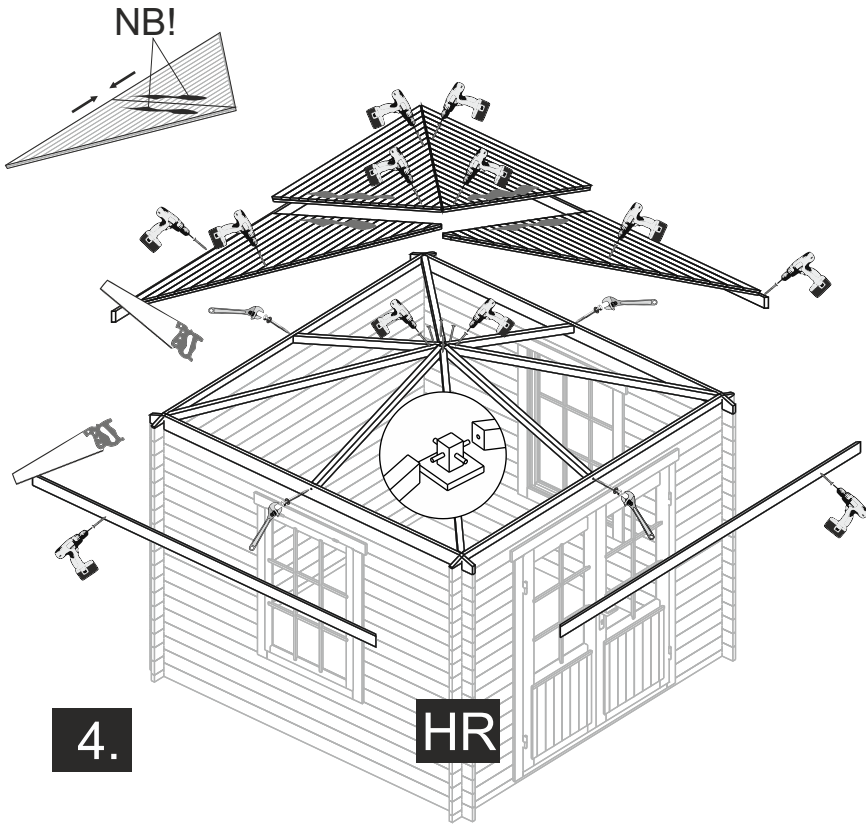
The guide is illustrative. This guide is not project specification.
Der Leitfaden ist illustrativ. Dieser Leitfaden ist keine Projektspezifikation.
De gids is illustratief. Deze gids is geen projectspecificatie.



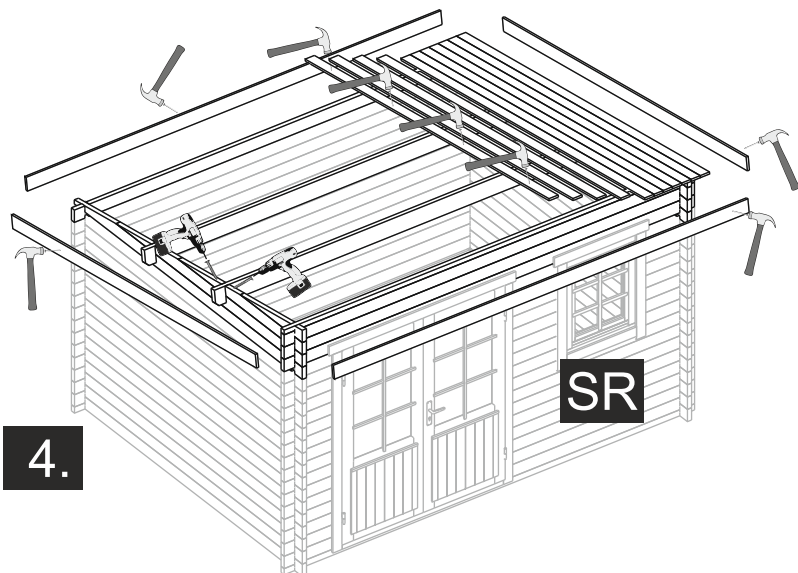
DSR



GR



HR



SR

OPTIONS

